

1 2 3 4 5 6 7

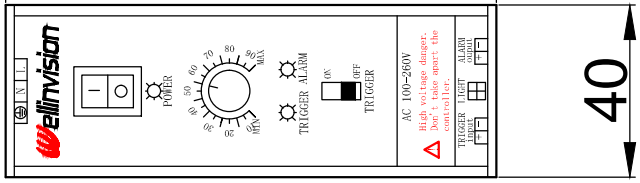
D D

C C

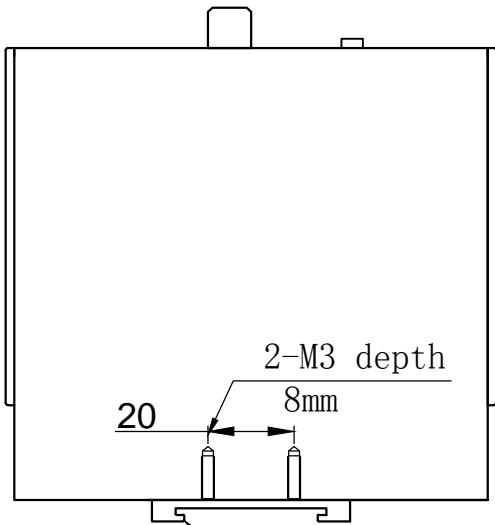
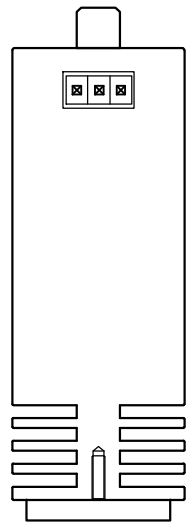
B B

A A

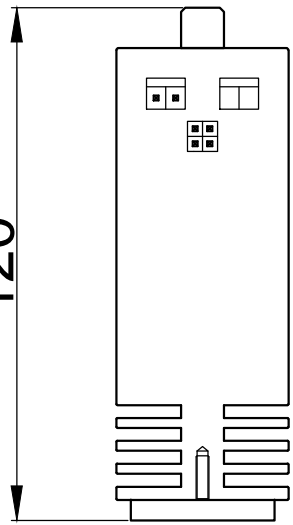
114



40



120



SPECIFICATIONS PARAMETER	
INPUT	AC 110-260V
OUTPUT	DC 24V
CONTRL MODE	Constant current
OUT PORT	4PIN
TRIGGER PORT	3.01 2PIN
ALARM PORT	3.01 2PIN
INPUT PORT	5.08 3PIN
POWER RANGE	60W

**HGS**

PART NAME	HGS1PS60T		DATE	2013-9-23
UNIT: mm	TITLE	DRAWING LAYOUT	DWN. BY	
			CHKD. BY	
			APPD. BY	
			DWG. NO	

1 2 3 4 5 6 7