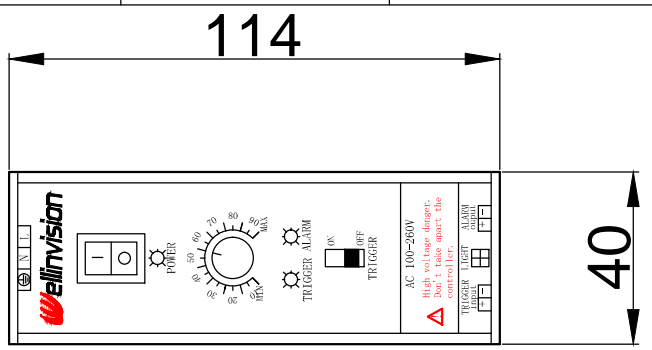


1 2 3 4 5 6 7

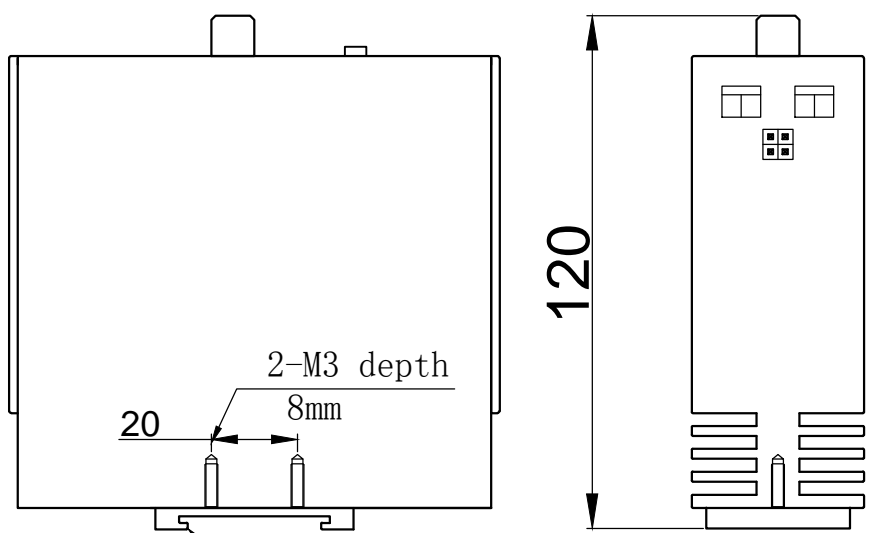
D
C
B
A

D
C
B
A



114

40



20

2-M3 depth

8mm

120

35MM DIN RAIL MOUNTING CLIP

SPECIFICATIONS PARAMETER	
INPUT	AC 110-260V
OUTPUT	DC 5V
CONTRL MODE	Constant current
OUT PORT	4PIN
TRIGGER PORT	3.01 2PIN
ALARM PORT	3.01 2PIN
INPUT PORT	5.08 3PIN
POWER RANGE	20W



PRODUCT NAME	HGS1PST15T		DATE	2013-9-23
UNIT: mm	PRODUCT NUMBER	1200019	DWN. BY	
			CHKD. BY	
			APPD. BY	
			DWG. NO	

1 2 3 4 5 6 7