

1

2

3

4

5

6

7

D

C

B

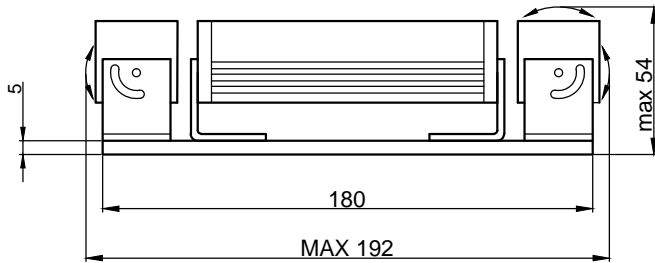
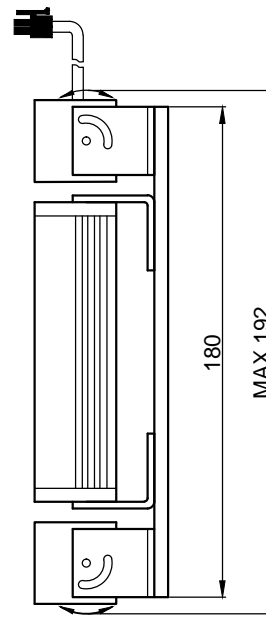
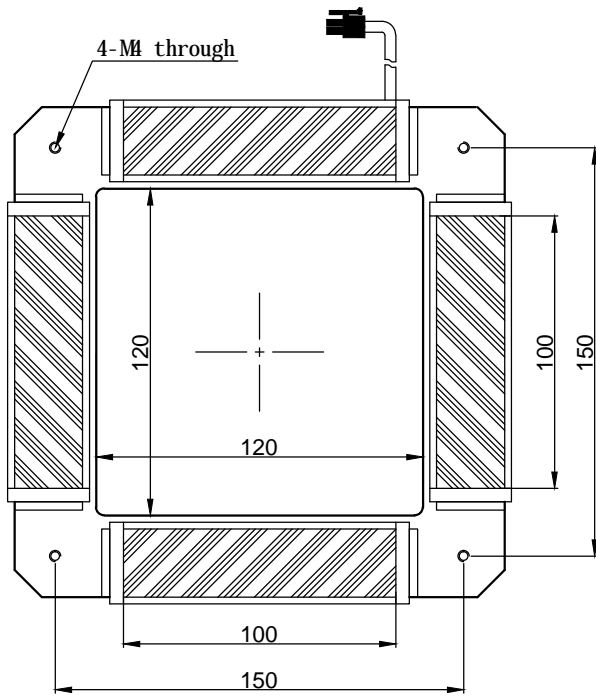
A

D

C

B

A



SPECIFICATIONS PARAMETER	
OPERATING VOLTAGE	DC24-26V
RATED CURRENT	IR, R / W, G, B 600/840mA
RATED POWER	IR, R / W, G, B 14.4/20.16W
PEAK CURRENT	IR, R / W, G, B 1200/1680mA
PEAK POWER	IR, R / W, G, B 28.8/40.32W
WAVELENGTH OF LIGHT	IR 850nm
	R 620-625nm
	G 520-530nm
	B 465-470nm
	W 6500-7000K



PART NAME

HGS100TSSD30

DATE

2013-6-8

UNIT: mm

TITLE

DRAWING LAYOUT

DWN. BY

CHKD. BY

APPD. BY

DWG. NO

1

2

3

4

5

6

7