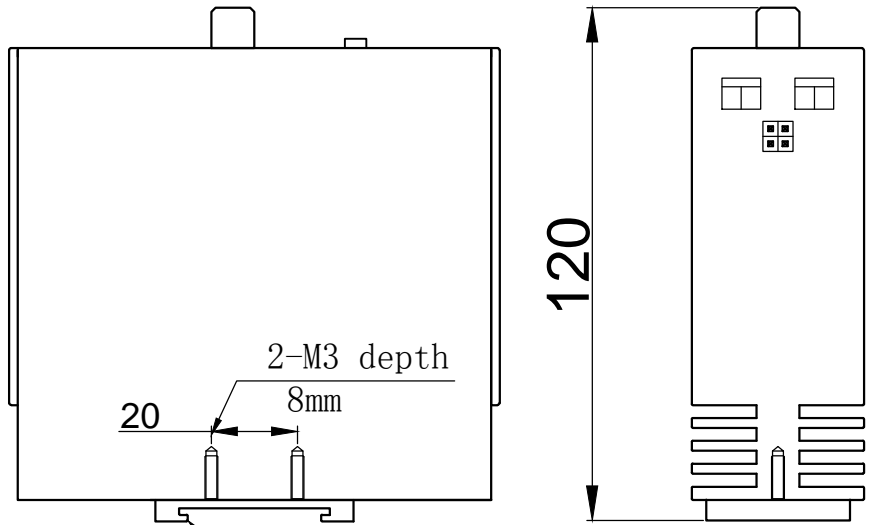
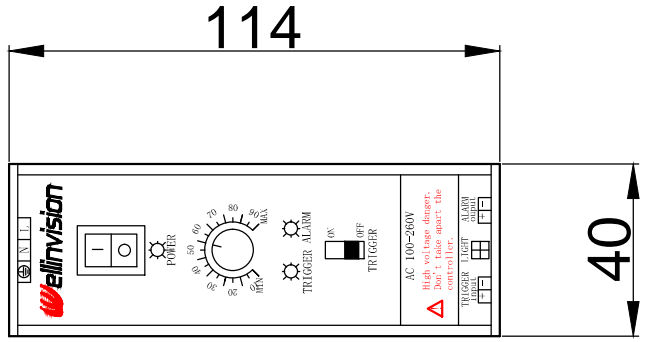


1 2 3 4 5 6 7



35MM DIN RAIL MOUNTING CLIP

SPECIFICATIONS PARAMETER	
INPUT	AC 110-260V
OUTPUT	DC 5V
CONTRL MODE	Constant current
OUT PORT	4PIN
TRIGGER PORT	3.01 2PIN
ALARM PORT	3.01 2PIN
INPUT PORT	5.08 3PIN
POWER RANGE	20W



PRODUCT NAME	HGS1PST15T-D		DATE	2013-9-23
UNIT: mm	PRODUCT NUMBER	1200020	DWN. BY	
			CHKD. BY	
			APPD. BY	
			DWG. NO	

1 2 3 4 5 6 7