

1

2

3

4

5

6

7

D

D

C

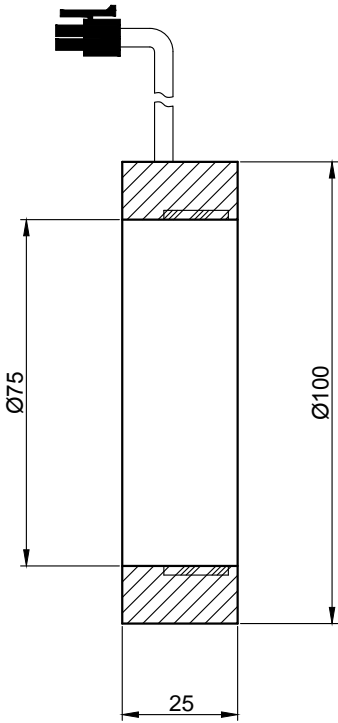
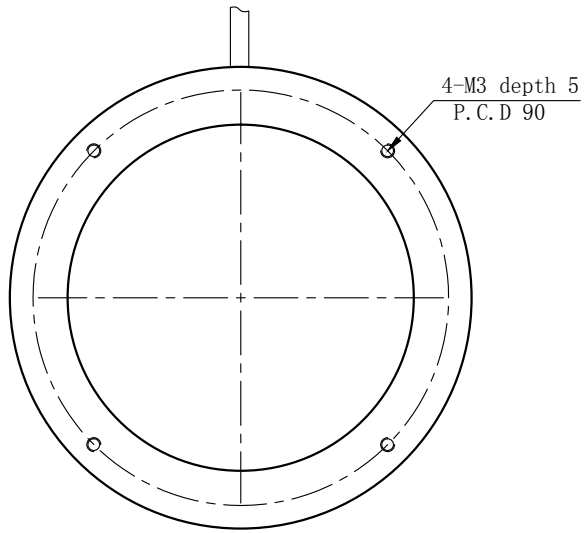
C

B

B

A

A



SPECIFICATIONS PARAMETER	
OPERATING VOLTAGE	DC24-26V
RATED CURRENT	R / W, G, B 250/350mA
RATED POWER	R / W, G, B 6/8.4W
PEAK CURRENT	R / W, G, B 500/700mA
PEAK POWER	R / W, G, B 12/16.8W
WAVELENGTH OF LIGHT	R 620-625nm
	G 520-530nm
	B 465-470nm
	W 6500-7000K



PART NAME	HGS100RID390		DATE	2013-9-12
UNIT: mm	TITLE	DRAWING LAYOUT	DWN. BY	
			CHKD. BY	
			APPD. BY	
			DWG. NO	

1

2

3

4

5

6

7