

1

2

3

4

5

6

7

D

D

C

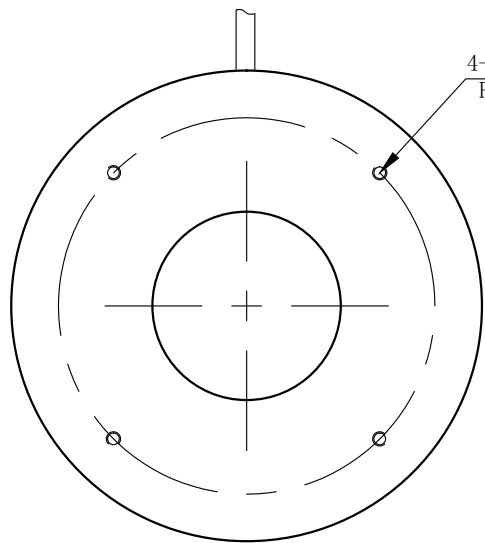
C

B

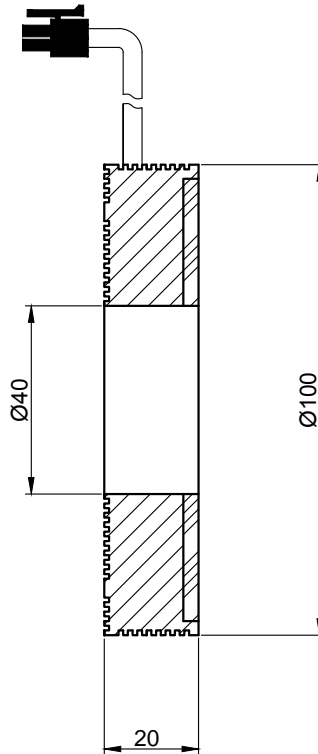
B

A

A



4-M3 depth 4  
P.C.D 80



SPECIFICATIONS PARAMETER	
OPERATING VOLTAGE	DC24-26V
RATED CURRENT	IR, R / W, G, B 280/400mA
RATED POWER	IR, R / W, G, B 6.72/9.6W
PEAK CURRENT	IR, R / W, G, B 560/800mA
PEAK POWER	IR, R / W, G, B 13.44/19.2W
WAVELENGTH OF LIGHT	IR 850-940nm
	R 620-625nm
	G 520-530nm
	B 465-470nm
	W 6500-7000K



PART NAME	HGS100RID500		DATE	2013-9-23
UNIT: mm	TITLE	DRAWING LAYOUT	DWN. BY	
			CHKD. BY	
			APPD. BY	
			DWG. NO	

1

2

3

4

5

6

7