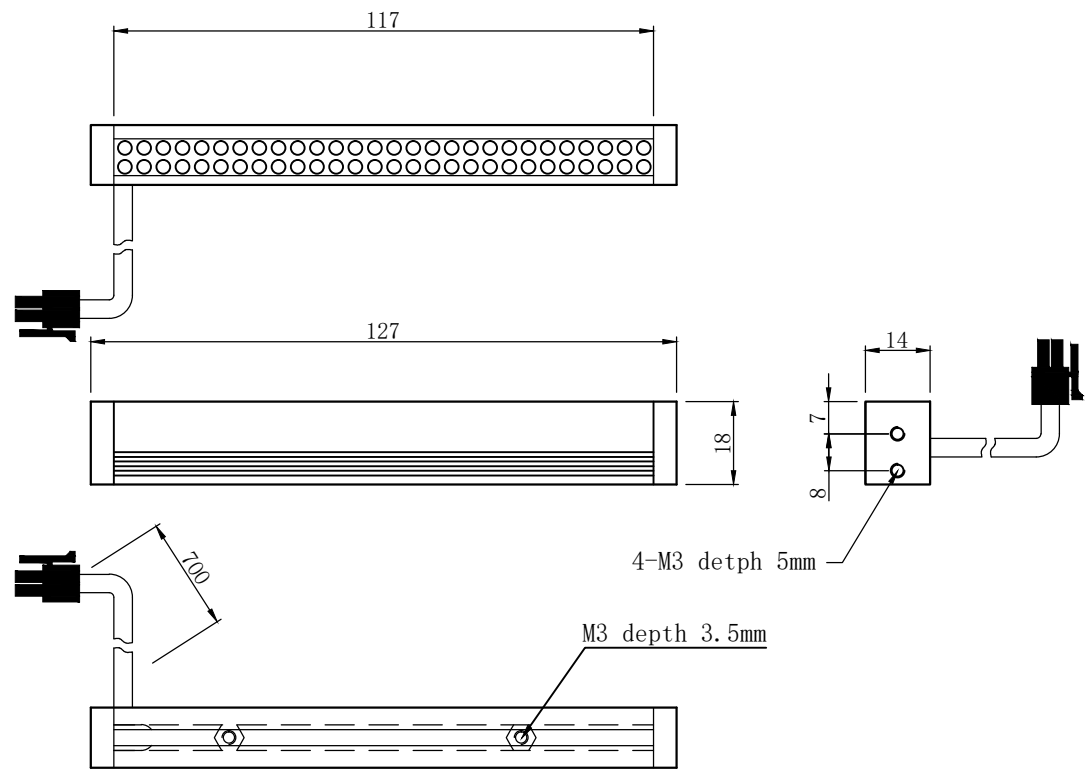


1 2 3 4 5 6 7

D
C
B
A

D
C
B
A



SPECIFICATIONS PARAMETER	
OPERATING VOLTAGE	DC24-26V
RATED CURRENT	W. G. B 100mA
RATED POWER	W. G. B 2.4W
PEAK CURRENT	W. G. B 200mA
PEAK POWER	W. G. B 4.8W
WAVELENGTH OF LIGHT	G 520-530nm
	B 465-470nm
	W 6500-8000K



PART NAME	HGS117SS14		DATE	2016-1-18
	UNIT: mm	TITLE	DRAWING LAYOUT	DWN. BY
APPD. BY			DWG. NO	

1 2 3 4 5 6 7