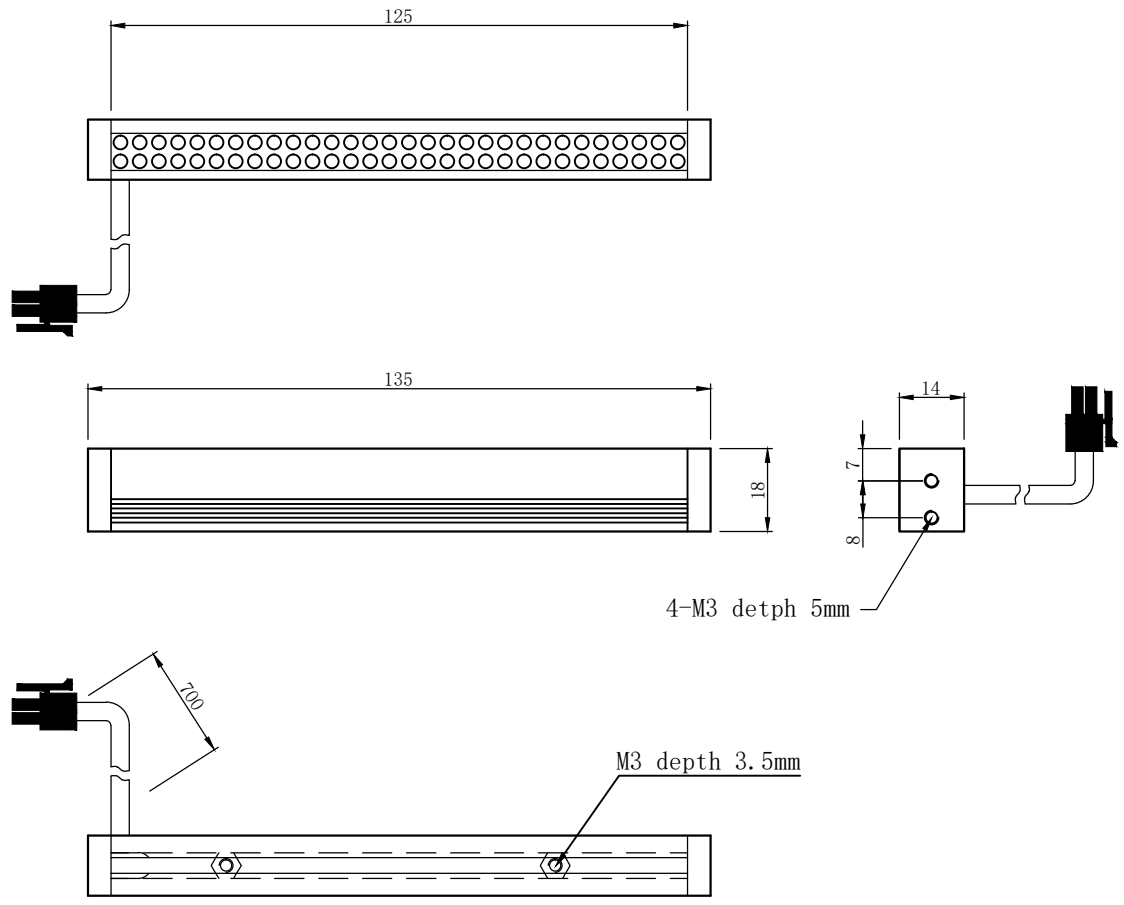


1 2 3 4 5 6 7

D  
C  
B  
A

D  
C  
B  
A



SPECIFICATIONS PARAMETER	
OPERATING VOLTAGE	DC24-26V
RATED CURRENT	80
RATED POWER	1.92W
PEAK CURRENT	160mA
PEAK POWER	3.84W
WAVELENGTH OF LIGHT	R 620-625nm



PART NAME	HGS125SS14		DATE	2016-1-18
			DWN. BY	
UNIT: mm	TITLE	DRAWING LAYOUT	CHKD. BY	
			APPD. BY	
			DWG. NO	

1 2 3 4 5 6 7