

1

2

3

4

5

6

7

D

D

C

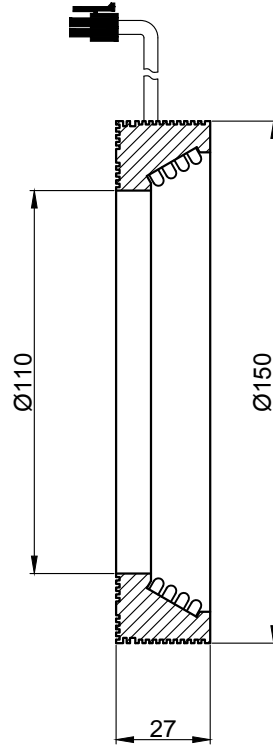
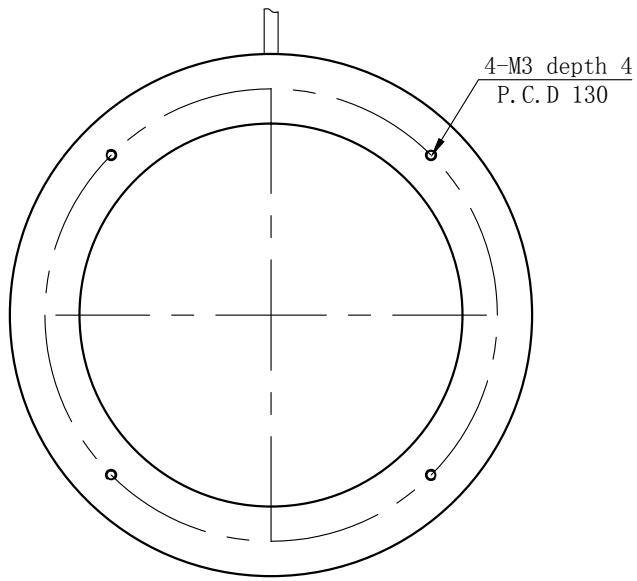
C

B

B

A

A



| SPECIFICATIONS PARAMETER | |
|--------------------------|-----------------------------|
| OPERATING VOLTAGE | DC24-26V |
| RATED CURRENT | IR、R / W、G、B 420/600mA |
| RATED POWER | IR、R / W、G、B 10.08/14.4W |
| PEAK CURRENT | IR、R / W、G、B 840/1200mA |
| PEAK POWER | IR、R / W、G、B 20.16/28.8W |
| WAVELENGTH OF LIGHT | IR 850-940nm |
| | R 620-625nm |
| | G 520-530nm |
| | B 465-470nm |
| | W 6500-7000K |

HGS

| | | | | |
|-----------|--------------------|----------------|----------|------------|
| PART NAME | HGS150RI460 | | DATE | 2012-11-27 |
| UNIT: mm | TITLE | DRAWING LAYOUT | DWN. BY | |
| | | | CHKD. BY | |
| | | | APPD. BY | |
| | | | DWG. NO | |

1

2

3

4

5

6

7