

1 2 3 4 5 6 7

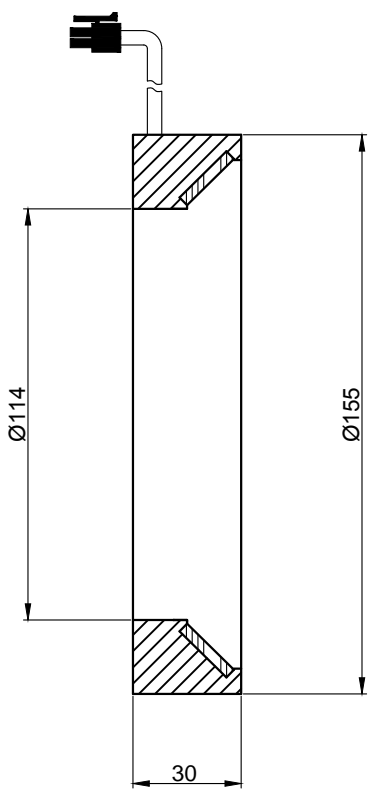
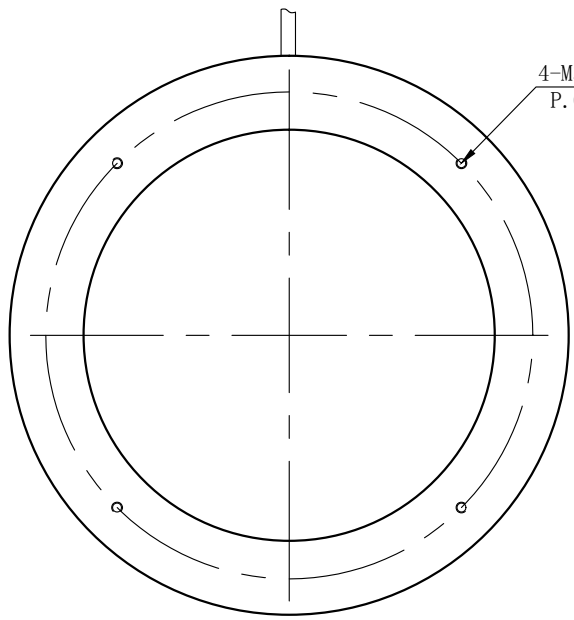
D D

C C

B B

A A

1 2 3 4 5 6 7



SPECIFICATIONS PARAMETER	
OPERATING VOLTAGE	DC24-26V
RATED CURRENT	IR, R / W, G, B 400/600mA
RATED POWER	IR, R / W, G, B 9.6/14.4W
PEAK CURRENT	IR, R / W, G, B 720/1080mA
PEAK POWER	IR, R / W, G, B 17.3/26W
WAVELENGTH OF LIGHT	IR 850-940nm
	R 620-625nm
	G 520-530nm
	B 465-470nm
	W 6500-7000K



PART NAME	HGS155RID145		DATE	2013-9-12
			DWN. BY	
UNIT: mm	TITLE	DRAWING LAYOUT		CHKD. BY
				APPD. BY
				DWG. NO