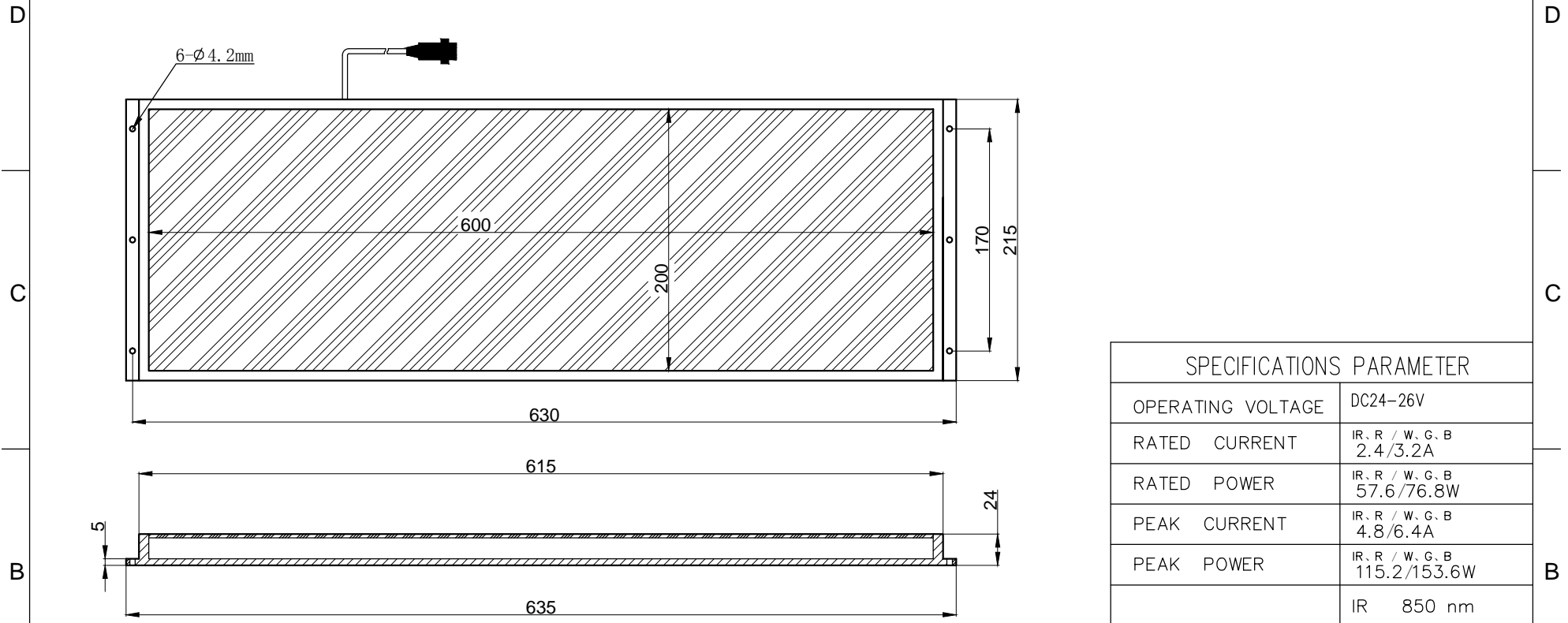


1 2 3 4 5 6 7



SPECIFICATIONS PARAMETER	
OPERATING VOLTAGE	DC24-26V
RATED CURRENT	IR、R / W、G、B 2.4/3.2A
RATED POWER	IR、R / W、G、B 57.6/76.8W
PEAK CURRENT	IR、R / W、G、B 4.8/6.4A
PEAK POWER	IR、R / W、G、B 115.2/153.6W
WAVELENGTH OF LIGHT	IR 850 nm
	R 620-625nm
	G 520-530nm
	B 465-470nm
	W 6500-7000K



PART NAME	HGS200BL600		DATE	2013-9-07
			DWN. BY	
UNIT: mm	TITLE	DRAWING LAYOUT		CHKD. BY
			APPD. BY	
			DWG. NO	

1 2 3 4 5 6 7