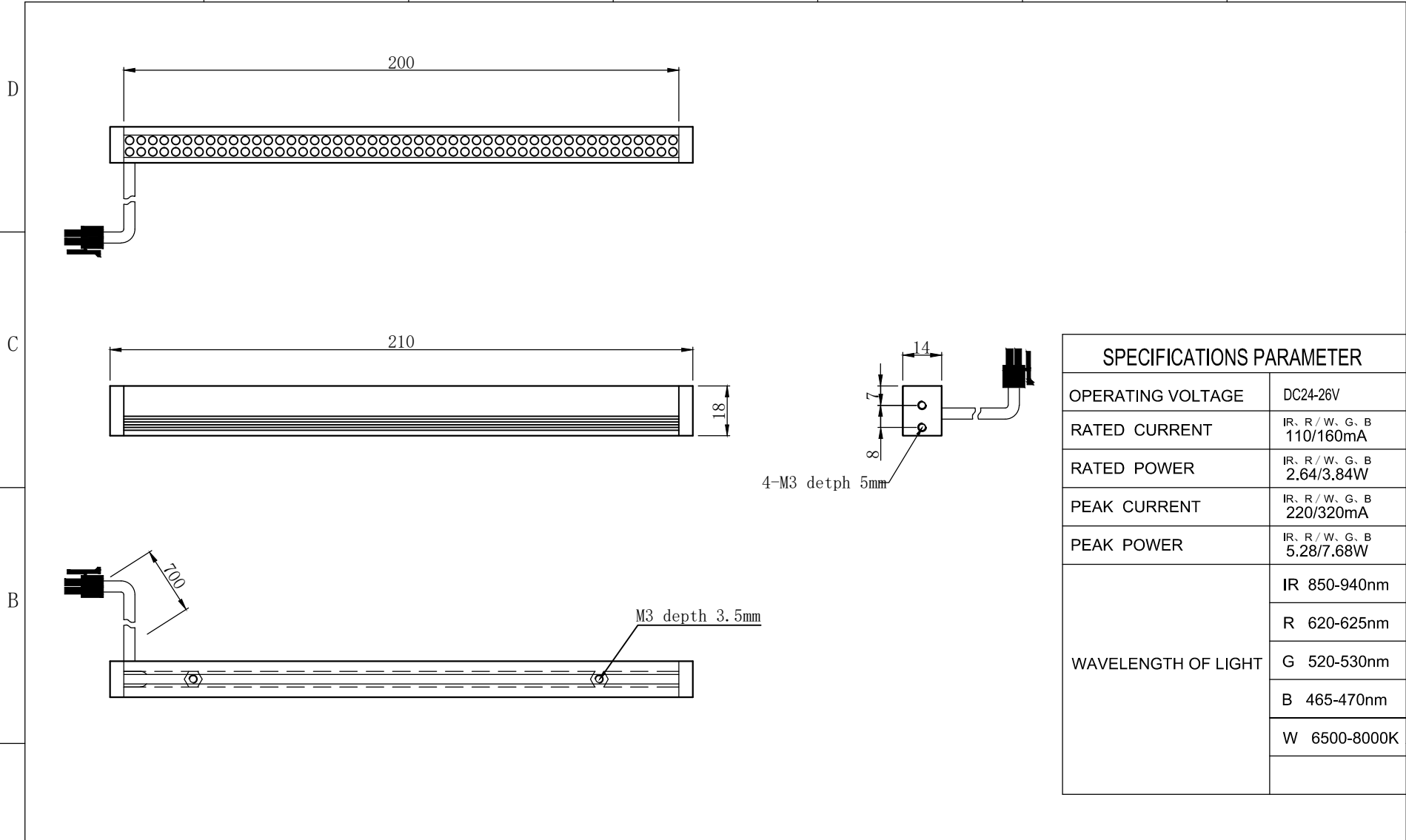


1 2 3 4 5 6 7



SPECIFICATIONS PARAMETER	
OPERATING VOLTAGE	DC24-26V
RATED CURRENT	IR, R/W, G, B 110/160mA
RATED POWER	IR, R/W, G, B 2.64/3.84W
PEAK CURRENT	IR, R/W, G, B 220/320mA
PEAK POWER	IR, R/W, G, B 5.28/7.68W
WAVELENGTH OF LIGHT	IR 850-940nm
	R 620-625nm
	G 520-530nm
	B 465-470nm
	W 6500-8000K

HGS	PART NAME	HGS200SS14		DATE	2016-1-18
	UNIT: mm	TITLE	DRAWING LAYOUT	DWN. BY	
				CHKD. BY	
				APPD. BY	
				DWG. NO	

1 2 3 4 5 6 7