

1 2 3 4 5 6 7

D

D

C

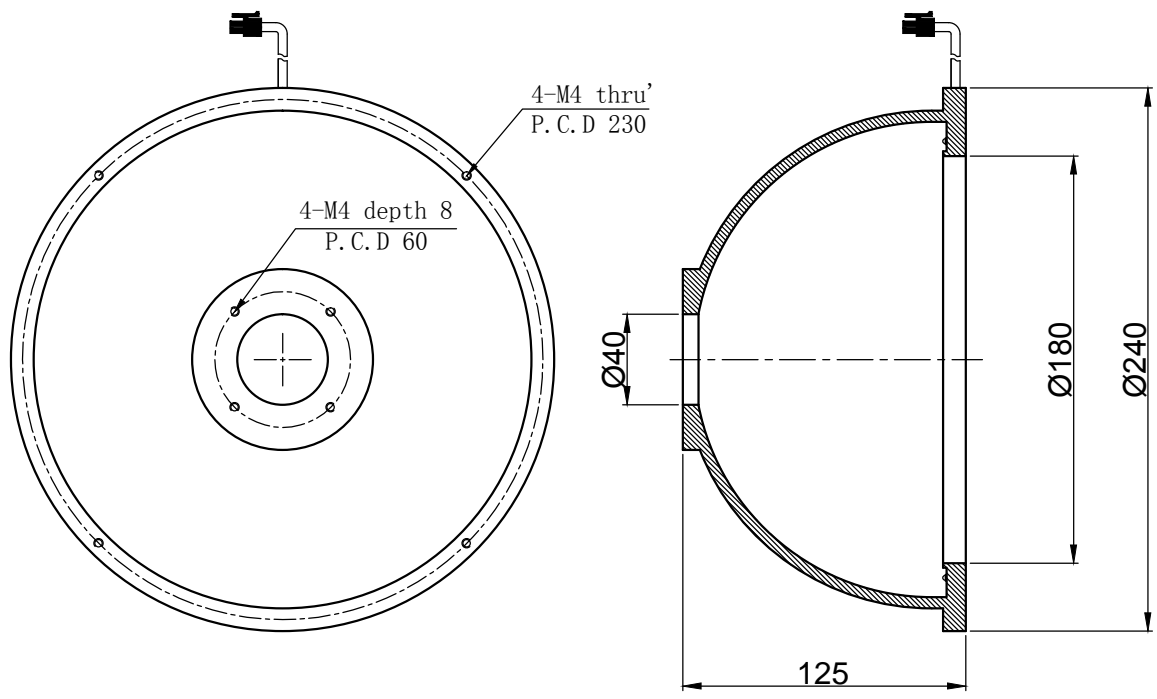
C

B

B

A

A



SPECIFICATIONS PARAMETER	
OPERATING VOLTAGE	DC24-26V
RATED CURRENT	R / W, G. B 1.5/2A
RATED POWER	R / W, G. B 36/48W
PEAK CURRENT	R / W, G. B 3/4A
PEAK POWER	R / W, G. B 72/96W
WAVELENGTH OF LIGHT	R 620-625nm
	G 520-530nm
	B 465-470nm
	W 6500-7000K



PART NAME	HGS240AL40		DATE	2014-3-24
			DWN. BY	
UNIT: mm	TITLE	DRAWING LAYOUT	CHKD. BY	
			APPD. BY	
			DWG. NO	

1 2 3 4 5 6 7