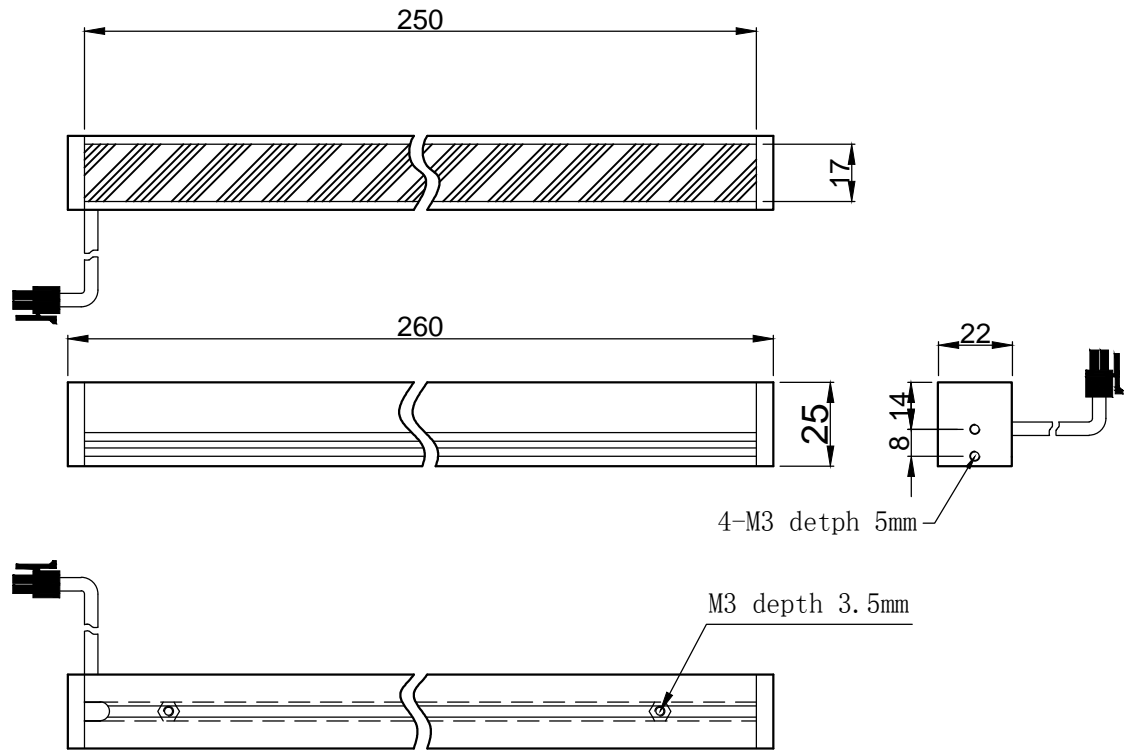


1      2      3      4      5      6      7

D  
C  
B  
A

D  
C  
B  
A



SPECIFICATIONS PARAMETER	
OPERATING VOLTAGE	DC24-26V
RATED CURRENT	IR, R / W, G, B 270/400mA
RATED POWER	IR, R / W, G, B 6.48/9.6W
PEAK CURRENT	IR, R / W, G, B 540/800mA
PEAK POWER	IR, R / W, G, B 12.96/19.2W
WAVELENGTH OF LIGHT	IR 940nm、830nm
	R 620-625nm
	G 520-530nm
	B 465-470nm
	W 6500-8000K



PART NAME	HGS250SSD17		DATE	2013-9-23
	UNIT: mm	TITLE	DRAWING LAYOUT	DWN. BY
			CHKD. BY	
			APPD. BY	
			DWG. NO	

1      2      3      4      5      6      7