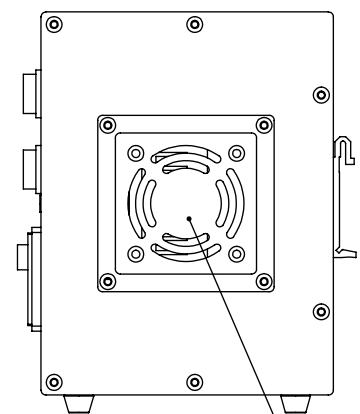
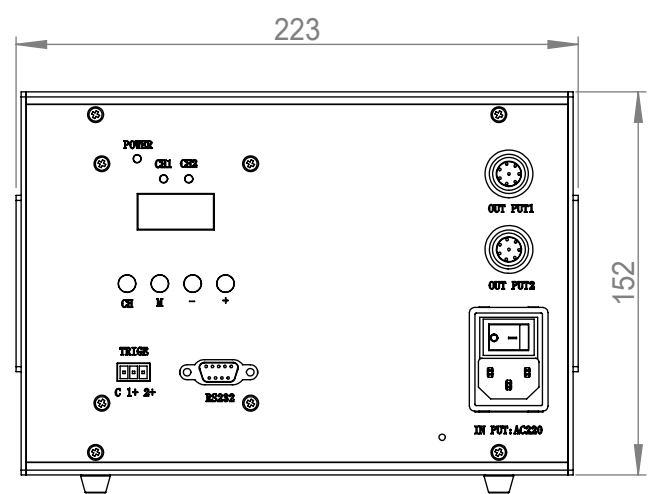
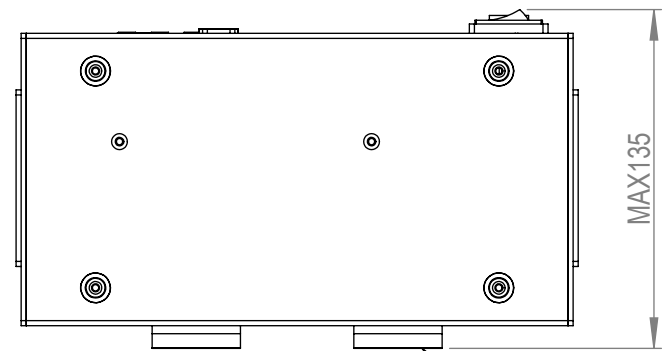


Refer to protection notice ISO 16016  
 The reproduction, distribution and utilization of this document as well as the communication of its contents to others without express authorization is prohibited. Offenders will be held liable for the payment damages. All rights reserved in the event of the grant of a patent, utility model or design.

参照ISO 16016保护条例  
 本图纸未经许可不得复制，传播或使用，不允许擅自与他人交流其内容。违者必究，并须赔偿损失。保留发明，实用新型以及外观设计专利的所有权。


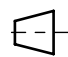


Fan mouth filter



35mm DIN RAIL MOUNTING CLIP



PART NAME	HL-PD2-300-CC		DATE	2020-10-30
	UNIT : mm	TITLE	DRAWING LAYOUT	DWN.BY
1:3	 		CHKD.BY	
			APPD.BY	
			DWG.NO	