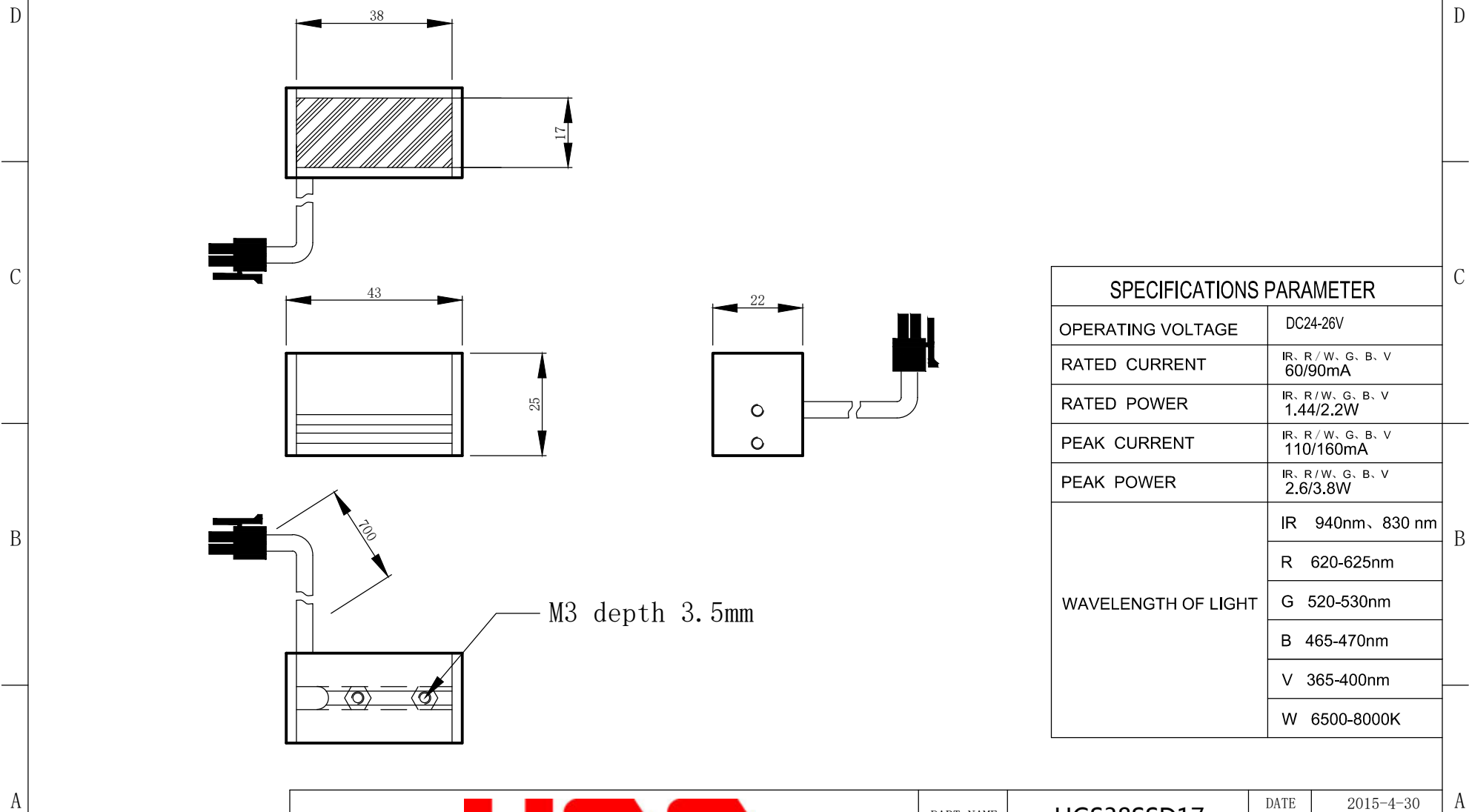


1 2 3 4 5 6 7



PART NAME	HGS38SSD17		DATE	2015-4-30
UNIT: mm	TITLE	DRAWING LAYOUT	DWN. BY	
			CHKD. BY	
			APPD. BY	
			DWG. NO	

1 2 3 4 5 6 7