

1 2 3 4 5 6 7

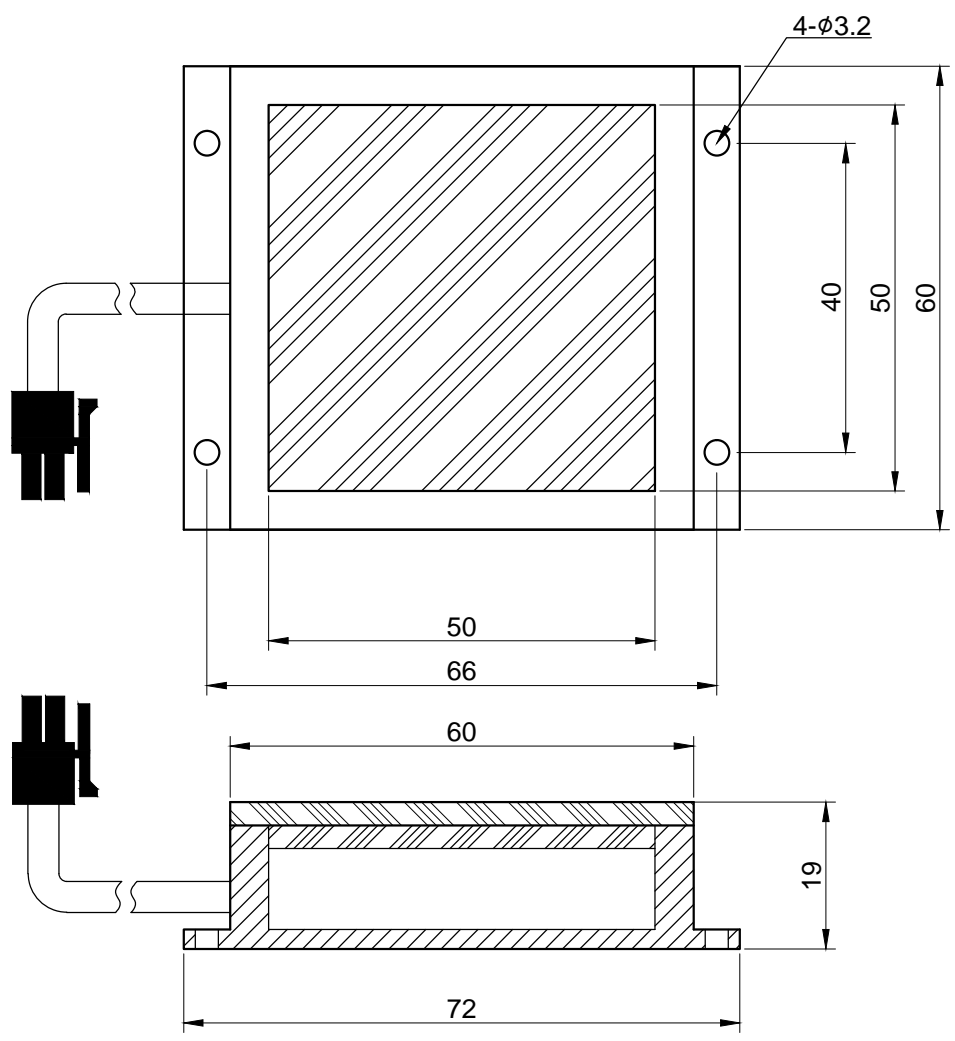
D

C

B

A

1 2 3 4 5 6 7



SPECIFICATIONS PARAMETER	
OPERATING VOLTAGE	DC24-26V
RATED CURRENT	IR, R / W, G, B 90/120mA
RATED POWER	IR, R / W, G, B 2.16/2.88W
PEAK CURRENT	IR, R / W, G, B 180/240mA
PEAK POWER	IR, R / W, G, B 4.32/5.76W
WAVELENGTH OF LIGHT	IR 850 nm
	R 620-625nm
	G 520-530nm
	B 465-470nm
	W 6500-7000K



PART NAME	HGS50BLP50		DATE	2013-9-07
			DWN. BY	
UNIT: mm	TITLE	DRAWING LAYOUT	CHKD. BY	
			APPD. BY	
			DWG. NO	

D
C
B
A

D
C
B
A