

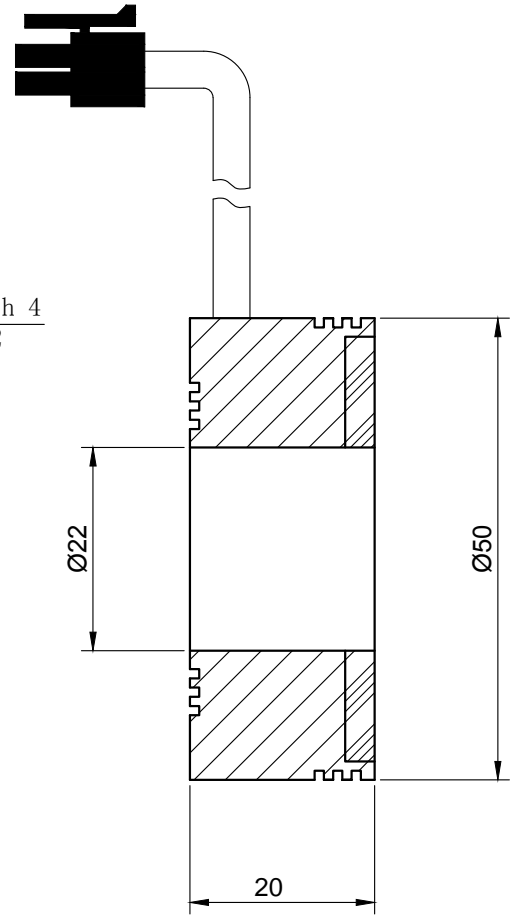
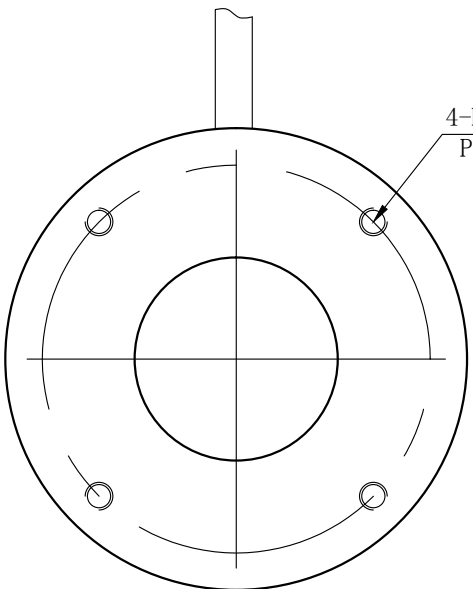
1 2 3 4 5 6 7

D D

C C

B B

A A



SPECIFICATIONS PARAMETER	
OPERATING VOLTAGE	DC24-26V
RATED CURRENT	IR, R / W, G, B 80/100mA
RATED POWER	IR, R / W, G, B 1.92/2.4W
PEAK CURRENT	IR, R / W, G, B 160/200mA
PEAK POWER	IR, R / W, G, B 3.84/4.8W
WAVELENGTH OF LIGHT	IR 850-940nm
	R 620-625nm
	G 520-530nm
	B 465-470nm
	W 6500-7000K

**HGS**

PART NAME	<b>HGS50RID200</b>		DATE	2013-10-12
UNIT: mm	TITLE	DRAWING LAYOUT	DWN. BY	
			CHKD. BY	
			APPD. BY	
			DWG. NO	

1 2 3 4 5 6 7