

1

2

3

4

5

6

7

D

D

C

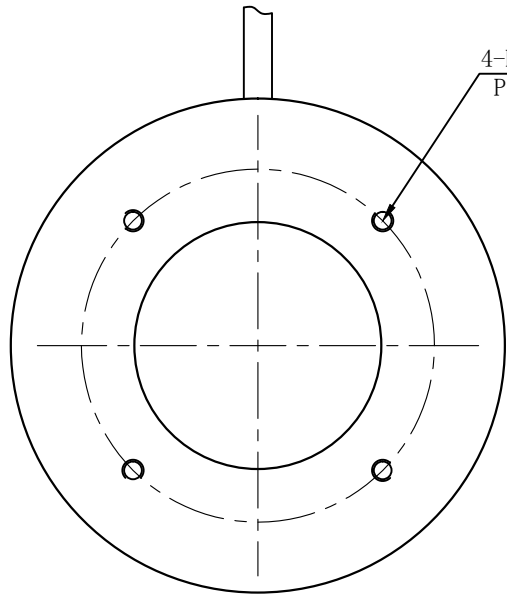
C

B

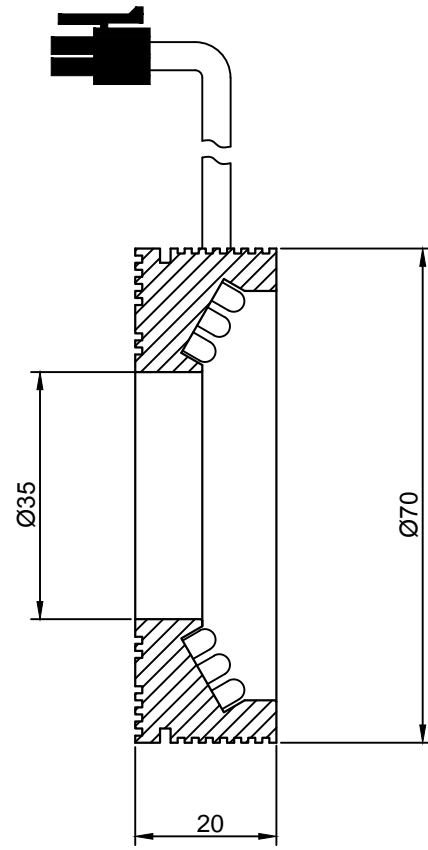
B

A

A



4-M3 depth 4
P.C.D 50



Ø35

Ø70

20

SPECIFICATIONS PARAMETER	
OPERATING VOLTAGE	DC24-26V
RATED CURRENT	IR / W. G. B 150/200mA
RATED POWER	IR / W. G. B 3.6/4.8W
PEAK CURRENT	IR / W. G. B 300/400mA
PEAK POWER	IR / W. G. B 7.2/9.6W
WAVELENGTH OF LIGHT	IR 850-940nm
	R 620-625nm
	G 520-530nm
	B 465-470nm
	W 6500-7000K

HGS

PART NAME	HGS70RI330		DATE	2012-11-27
UNIT: mm	TITLE	DRAWING LAYOUT	DWN. BY	
			CHKD. BY	
			APPD. BY	
			DWG. NO	

1

2

3

4

5

6

7