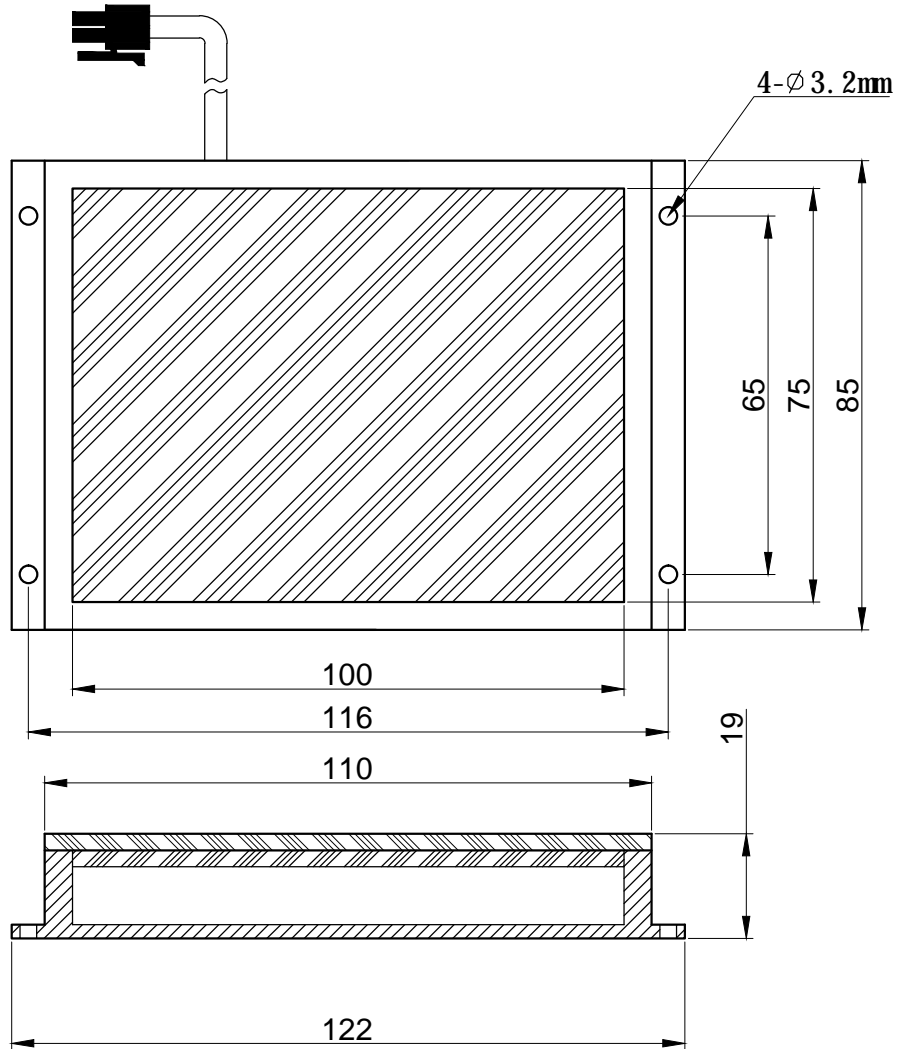


1 2 3 4 5 6 7

D
C
B
A



SPECIFICATIONS PARAMETER	
OPERATING VOLTAGE	DC24-26V
RATED CURRENT	IR, R / W, G, B 270/360mA
RATED POWER	IR, R / W, G, B 5.76/8.64W
PEAK CURRENT	IR, R / W, G, B 480/580mA
PEAK POWER	IR, R / W, G, B 11.7/14W
WAVELENGTH OF LIGHT	IR 850 nm
	R 620-625nm
	G 520-530nm
	B 465-470nm
	V 365-400nm
	W 6500-7000K



PART NAME	HGS75BLP100		DATE	2013-9-07
UNIT: mm	TITLE	DRAWING LAYOUT	DWN. BY	
			CHKD. BY	
			APPD. BY	
			DWG. NO	

1 2 3 4 5 6 7