

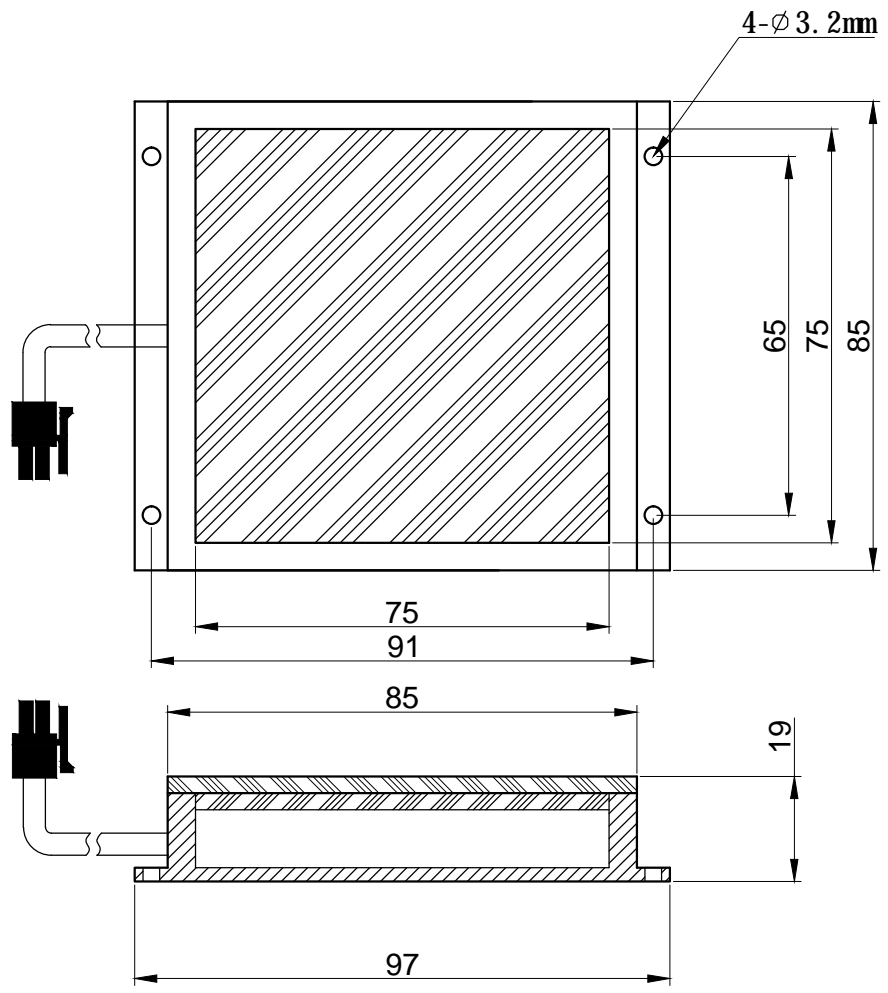
1 2 3 4 5 6 7

D D

C C

B B

A A



SPECIFICATIONS PARAMETER	
OPERATING VOLTAGE	DC24-26V
RATED CURRENT	IR, R / W, G, B, V 180/270mA
RATED POWER	IR, R / W, G, B, V 4.32/6.48W
PEAK CURRENT	IR, R / W, G, B, V 360/540mA
PEAK POWER	IR, R / W, G, B, V 8.64/12.96W
WAVELENGTH OF LIGHT	IR 850 nm
	R 620-625nm
	G 520-530nm
	B 465-470nm
	V 365-400nm
	W 6500-7000K



PART NAME	HGS75BLP75		DATE	2013-9-07
			DWN. BY	
UNIT: mm	TITLE	DRAWING LAYOUT	CHKD. BY	
			APPD. BY	
			DWG. NO	

1 2 3 4 5 6 7