

1

2

3

4

5

6

7

D

D

C

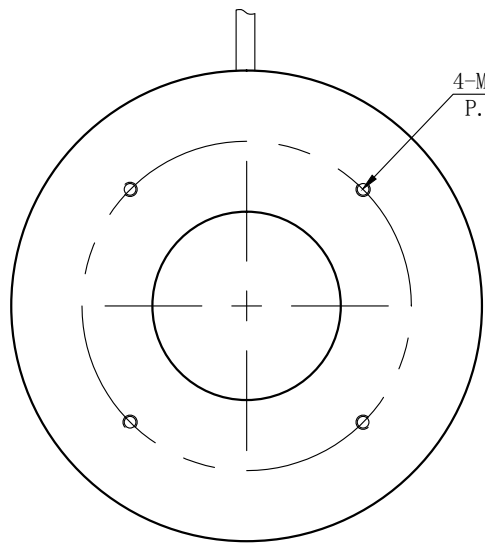
C

B

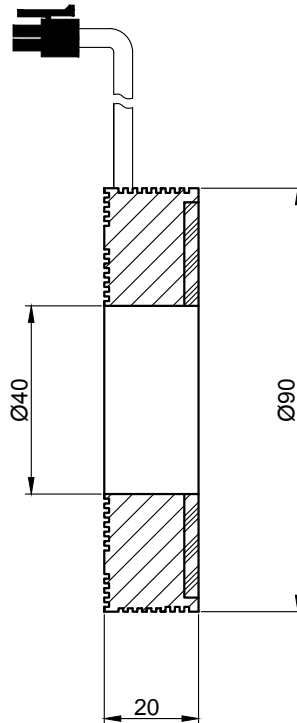
B

A

A



4-M3 depth 4
P. C. D 70



Ø40

Ø90

20

SPECIFICATIONS PARAMETER

| | |
|---------------------|--------------------------------|
| OPERATING VOLTAGE | DC24-26V |
| RATED CURRENT | IR, R / W, G, B 210/300mA |
| RATED POWER | IR, R / W, G, B 5.04/7.2W |
| PEAK CURRENT | IR, R / W, G, B 420/600mA |
| PEAK POWER | IR, R / W, G, B 10.08/14.4W |
| WAVELENGTH OF LIGHT | IR 850-940nm |
| | R 620-625nm |
| | G 520-530nm |
| | B 465-470nm |
| | W 6500-7000K |

HGS

PART NAME

HGS90RID400

DATE

2014-9-23

DWN. BY

UNIT: mm

TITLE DRAWING LAYOUT

CHKD. BY

APPD. BY

DWG. NO

1

2

3

4

5

6

7