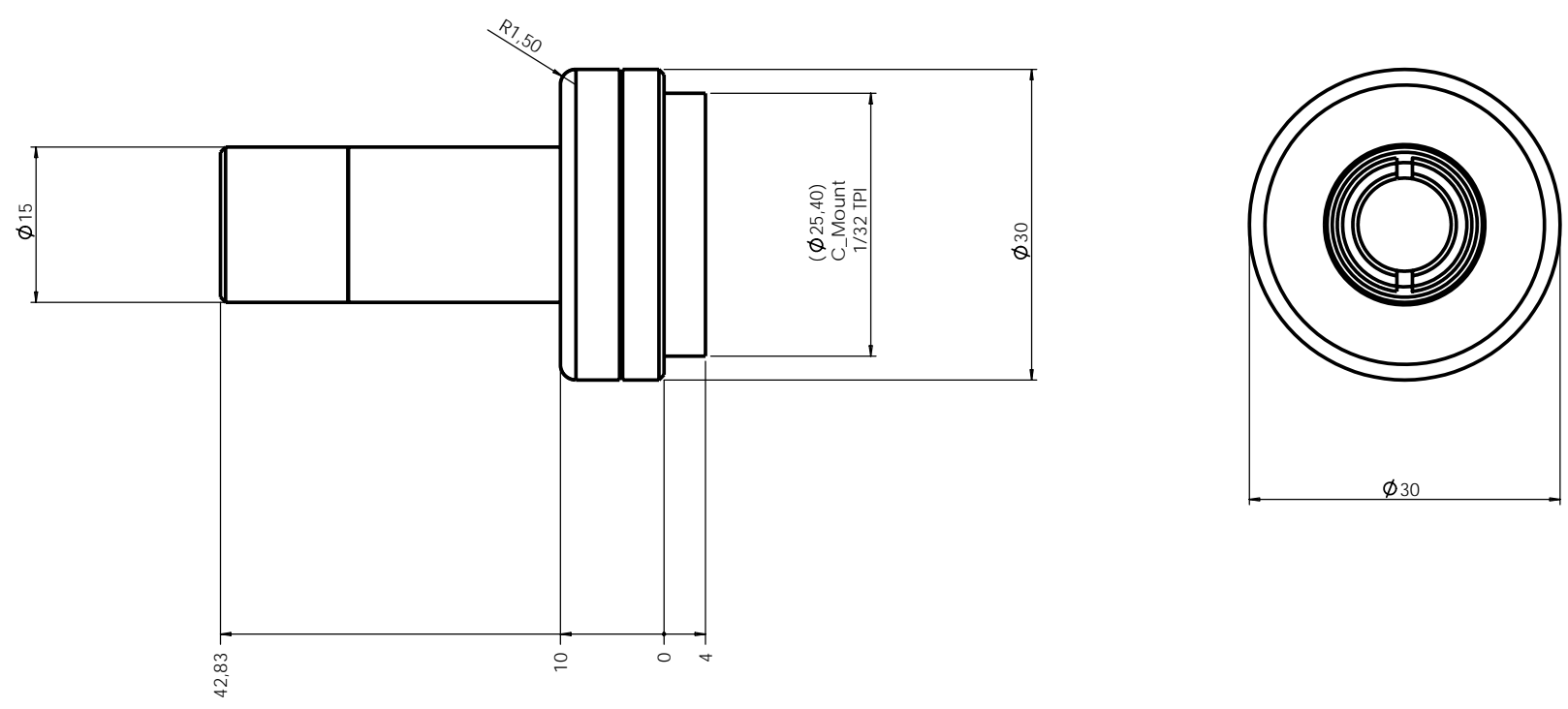


| Rev No. | Description | Date | Name |
|---------|----------------|----------|------|
| B | MC0.75X layout | 20/11/09 | |



| | | | | | | | | | |
|--|------|----------|------|------|-------|---|--------|----------------------|-----|
| Material | | N.A. | | | | Mass | 50 gr. | Scale | 2:1 |
| Surface treatment | | N.A. | | | | Project-Prod.Item/Instrument MC0.75X | | | |
| Geometrical tolerance (ISO 2768-2) | | | | | | Class | | K | |
| Linear tolerance (ISO 2768-2) | | | | | | Class | | m | |
| 0.5 | >3- | >6- | >30+ | >120 | >400+ | >1000 | >2000 | Undimensioned bevels | |
| ±0.1 | ±0.1 | ±0.2 | ±0.3 | ±0.5 | ±0.8 | ±1.2 | ±2 | Undimensioned radii | |
| ±3 | ±6 | ±30 | ±120 | ±400 | ±1000 | ±2000 | ±4000 | 1x45° | |
| | | | | | | | | R 0.5 | |
| | | Date | | Name | | Drawing No. | | Sheet | |
| Designed | | 15/10/09 | | | | 13811-3-B | | 1/1 | |
| Draw | | 20/11/09 | | | | Reproduction forbidden without specific authorization | | | |
| Checked | | X | | | | | | | |
| OPTO ENGINEERING S.r.l. - 46100 Mantova Italy - Via Cremona, 29/2 - Tel. +39 0376 263565 - e-mail: info@opto-engineering.com - http://www.opto-engineering.com | | | | | | | | | |