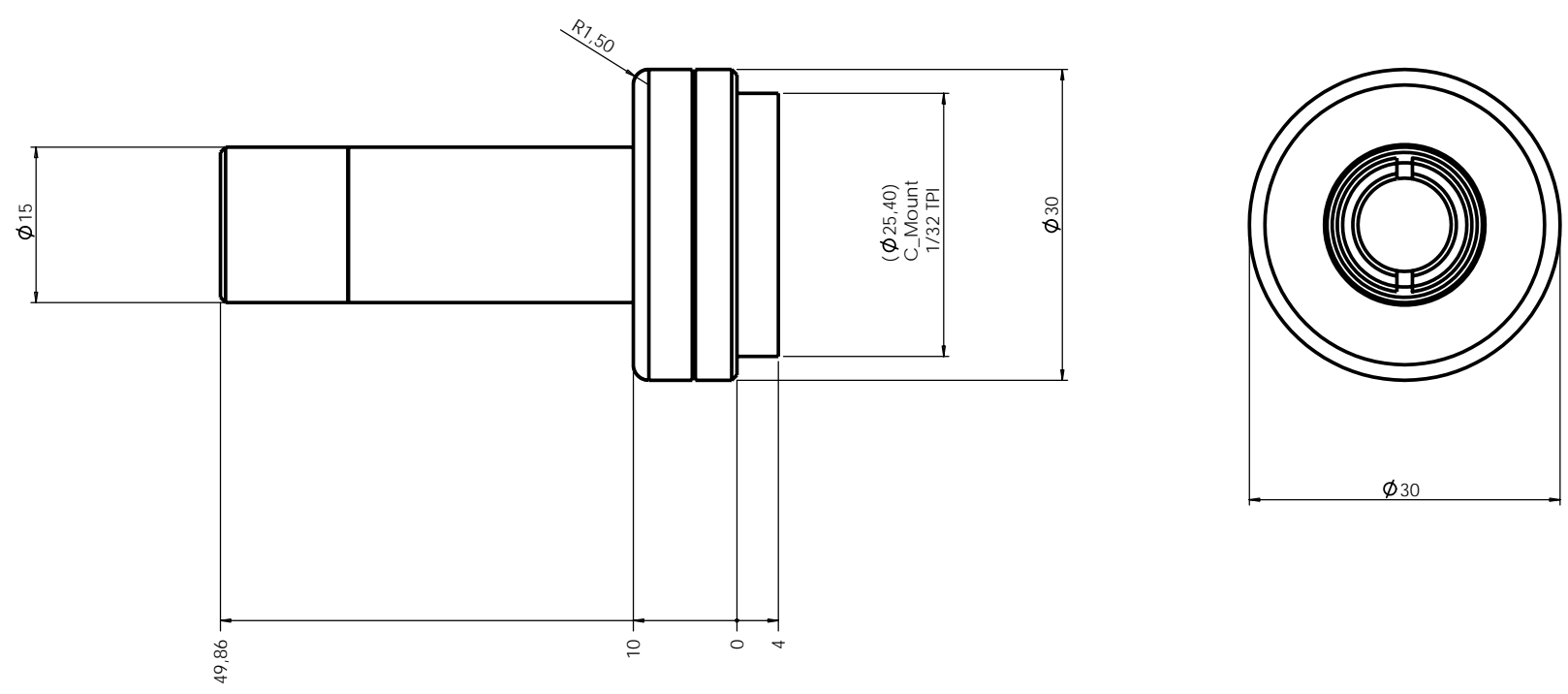


Rev No.	Description	Date	Name
B	MC1.00X layout	20/11/09	



Material	N.A.		Mass	50 gr.	Scale	2:1	
Surface treatment	N.A.		Project-Prod.Item/Instrument MC1.00X				
Geometrical tolerance (ISO 2768-2)		Class	K	Undimensioned bevels	1x45°	Description MC1.00X layout	
Linear tolerance (ISO 2768-2)		Class	m	Undimensioned radii	R 0.5		
0.5 ±0.1	>3- 6 ±0.1	>6- 30 ±0.2	>30- 120 ±0.3	>120 ±0.5	>400- 1000 ±0.8	>1000 ±1.2	>2000 ±2
www.opto-engineering.com		Date		Name		Drawing No.	Sheet
Designed		15/10/09				13811-4-B	1/1
Draw		20/11/09					
Checked		X				Reproduction forbidden without specific authorization	
OPTO ENGINEERING S.r.l. - 46100 Mantova Italy - Via Cremona, 29/2 - Tel. +39 0376 263565 - e-mail: info@opto-engineering.com - http://www.opto-engineering.com							