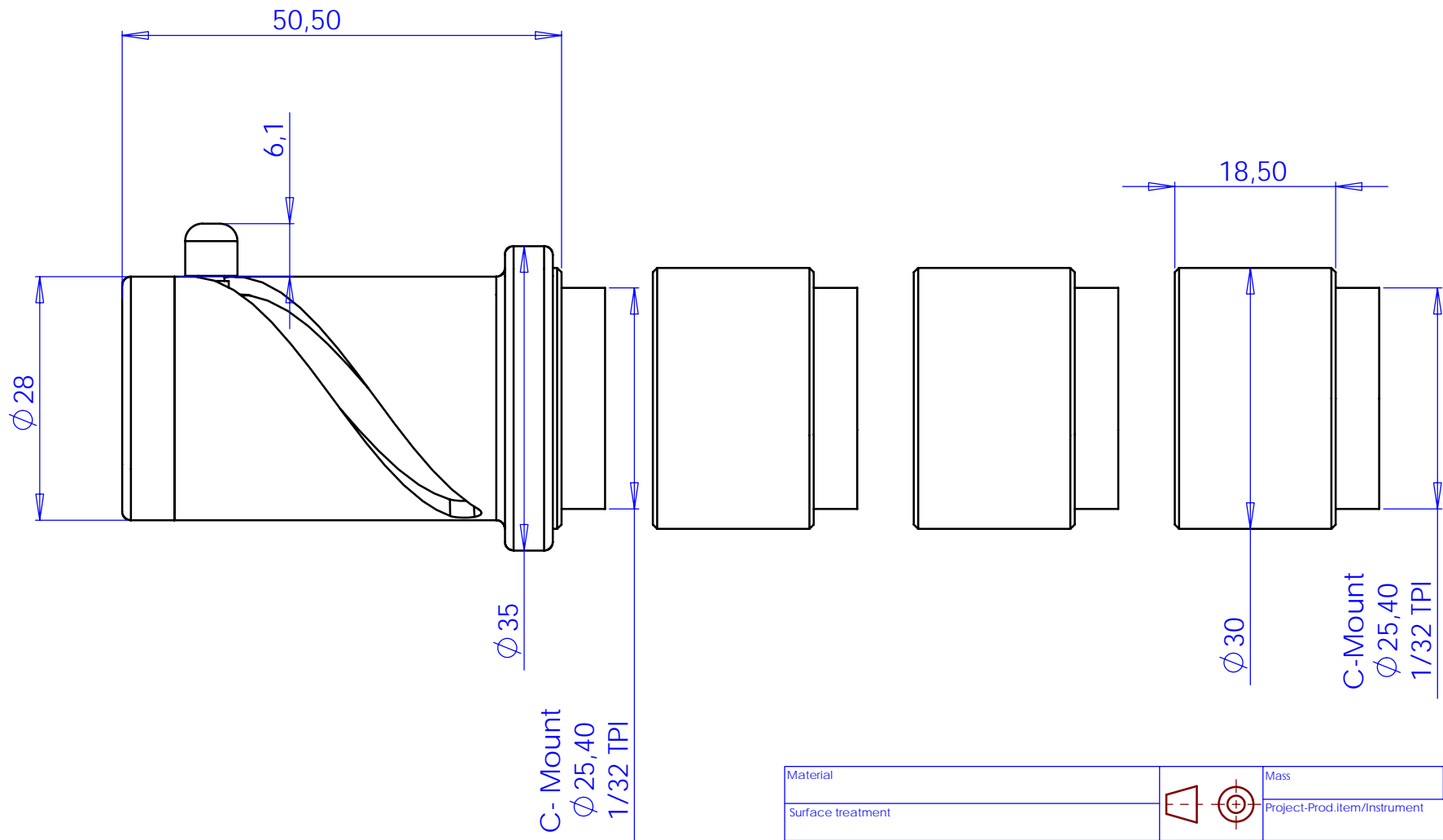


Rev No.	Description	Date	Name



Material			Mass	Scale 2:1																																
Surface treatment			Project-Prod.Item/Instrument																																	
Geometrical tolerance (ISO 2768-2) <table border="1"> <thead> <tr> <th colspan="2">Linear tolerance (ISO 2768-2)</th> <th>Class</th> <th>K</th> <th rowspan="2">Undimensioned bevels</th> <th rowspan="2">1x45°</th> <th rowspan="2">Undimensioned radii</th> <th rowspan="2">R 0.5</th> </tr> <tr> <th>0.5</th> <th>>3-</th> <th>>6-</th> <th>>30-</th> <th>>120</th> <th>>400-</th> <th>>1000</th> <th>>2000</th> </tr> </thead> <tbody> <tr> <td>+3</td> <td>6</td> <td>30</td> <td>120</td> <td>+400</td> <td>1000</td> <td>+2000</td> <td>+4000</td> </tr> <tr> <td>±0.1</td> <td>±0.1</td> <td>±0.2</td> <td>±0.3</td> <td>±0.5</td> <td>±0.8</td> <td>±1.2</td> <td>±2</td> </tr> </tbody> </table>			Linear tolerance (ISO 2768-2)		Class	K	Undimensioned bevels	1x45°	Undimensioned radii	R 0.5	0.5	>3-	>6-	>30-	>120	>400-	>1000	>2000	+3	6	30	120	+400	1000	+2000	+4000	±0.1	±0.1	±0.2	±0.3	±0.5	±0.8	±1.2	±2	Description MC 0.33X - 3X	
Linear tolerance (ISO 2768-2)		Class	K	Undimensioned bevels	1x45°	Undimensioned radii					R 0.5																									
0.5	>3-	>6-	>30-				>120	>400-	>1000	>2000																										
+3	6	30	120	+400	1000	+2000	+4000																													
±0.1	±0.1	±0.2	±0.3	±0.5	±0.8	±1.2	±2																													
		Date	Name	Drawing No.	Sheet 1/1																															
Designed		Date		Reproduction forbidden without specific authorization																																
Draw		Name		www.opto-engineering.com																																
Checked		Date		OPTO ENGINEERING S.r.l. - 46100 Mantova Italy - Via Cremona, 28 - Tel/fax +39 0376 229585 - e-mai: info@opto-engineering.it - http://www.opto-engineering.com																																