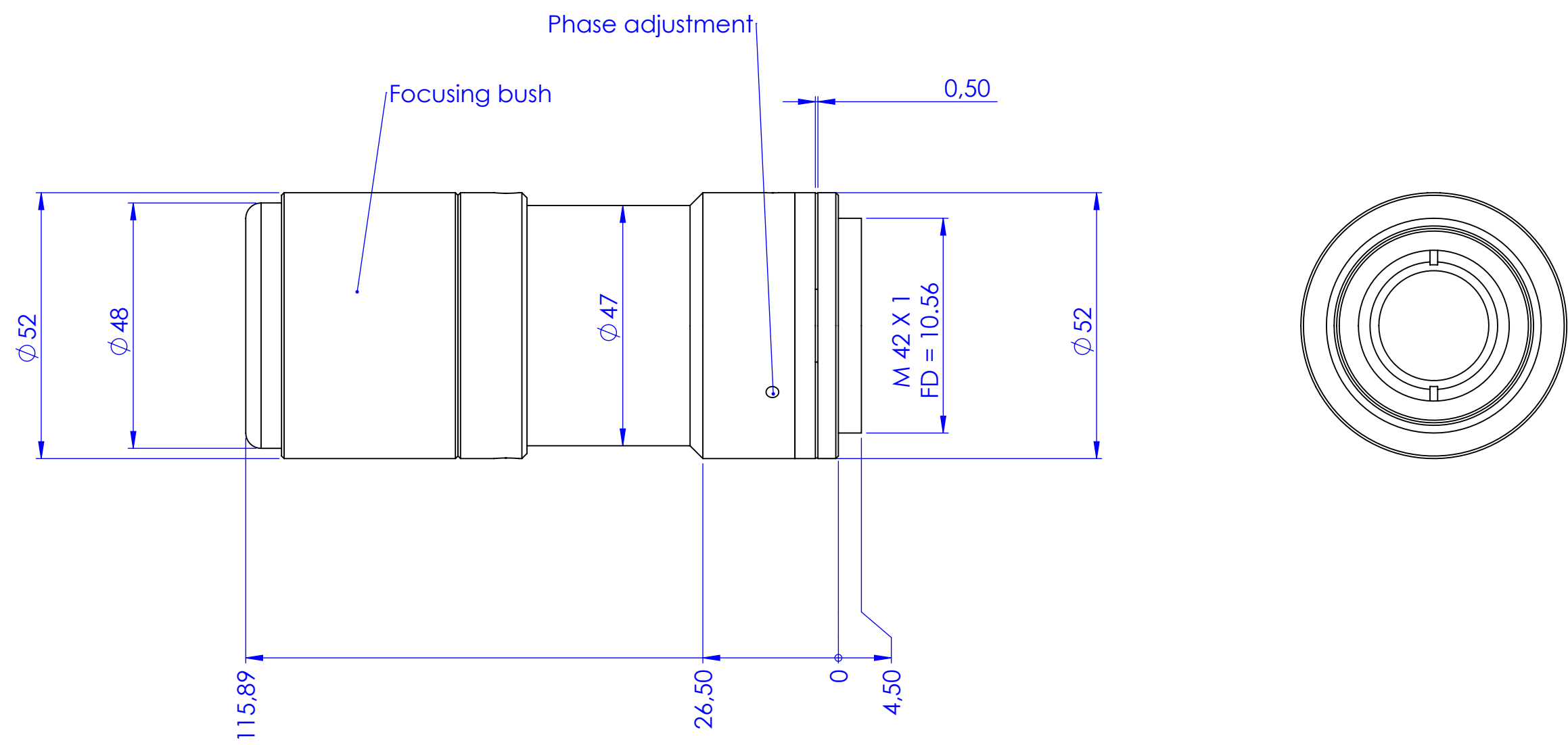



1 2 3 4 5 6 7 8

Rev No.	Description	Date	Name



D
C
B
A

D
C
B
A

Material		N.A.		Mass		485.83 g		Scale		1:1			
Surface treatment		N.A.		Part No.		CO23002							
Geometrical tolerance (ISO 2768-2)								Class		K		Description	
Linear tolerance (ISO 2768-2)								Class		m		Undimensioned bevels	
0.5 ±3								>3÷ 6		>6÷ 30		>30÷ 120	
>120 ±400								>400÷ 1000		>1000 ±2000		>2000 ±4000	
±0.1								±0.1		±0.2		±0.3	
±0.5								±0.8		±1.2		±2	
Undimensioned radii								0.5x45°		R 0.5		MC4K 0.25X M42	
Date				Name				Drawing No.		Sheet			
Designed				04/06/2014				Bna		DP 23002-A			
Drawn				19/06/2014				Bna		1/1			
Checked													
													
OPTO ENGINEERING S.r.l. - Mantova Italy - Tel. +39 0376 699111 - www.opto-engineering.com													
<i>Secret and confidential - All rights reserved - No copy, dissemination or circulation is allowed unless specifically authorized in writing by OPTO ENGINEERING S.r.l. - Any violation shall be legally prosecuted.</i>													

1 2 3 0 1 2 3 4 5 6 7 8 9 10 6 7 8

all dimensions are in mm