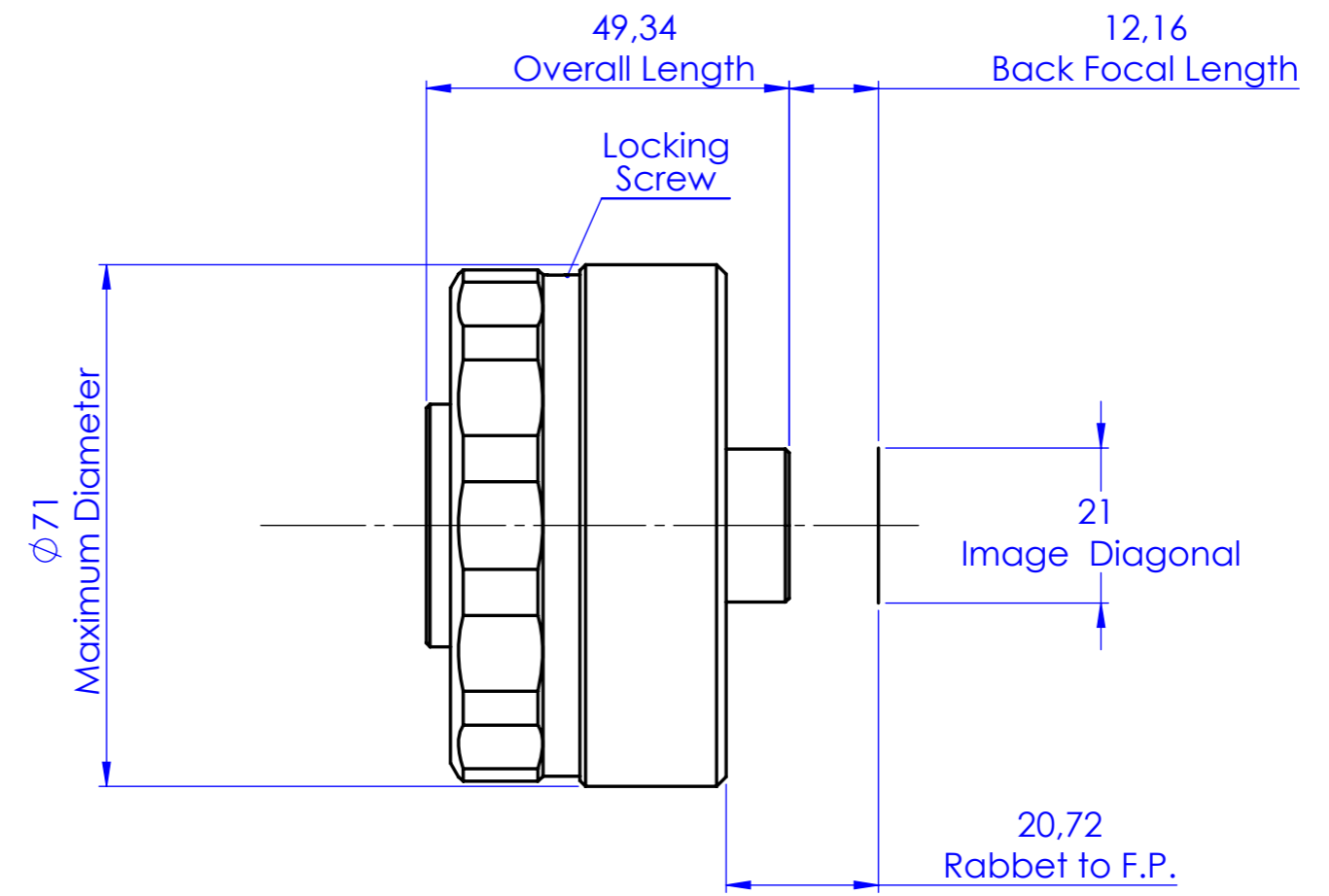
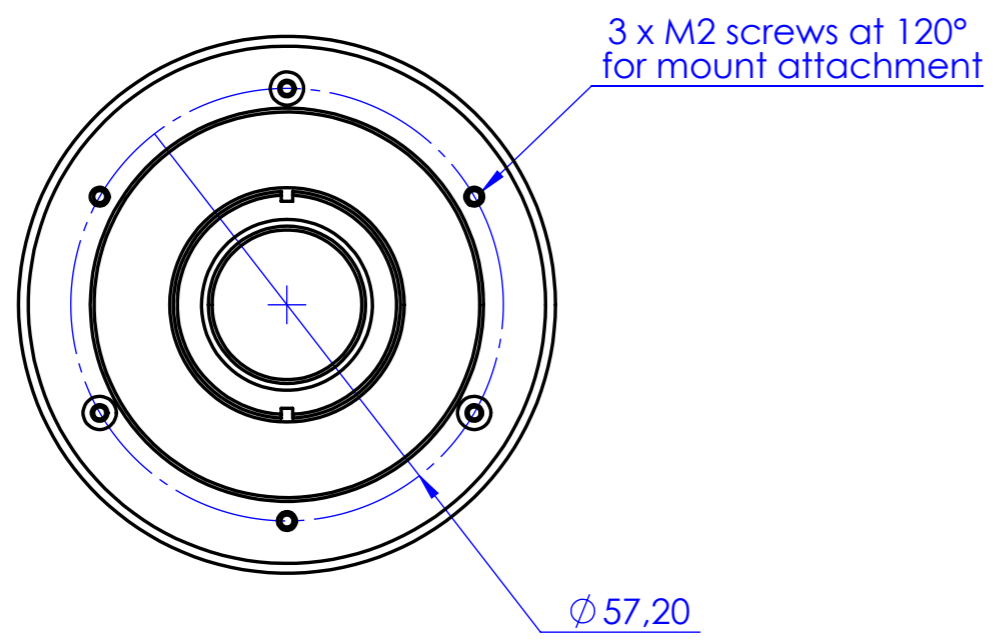


1 2 3 4 5 6 7 8

Rev No.	Description	Date	Name



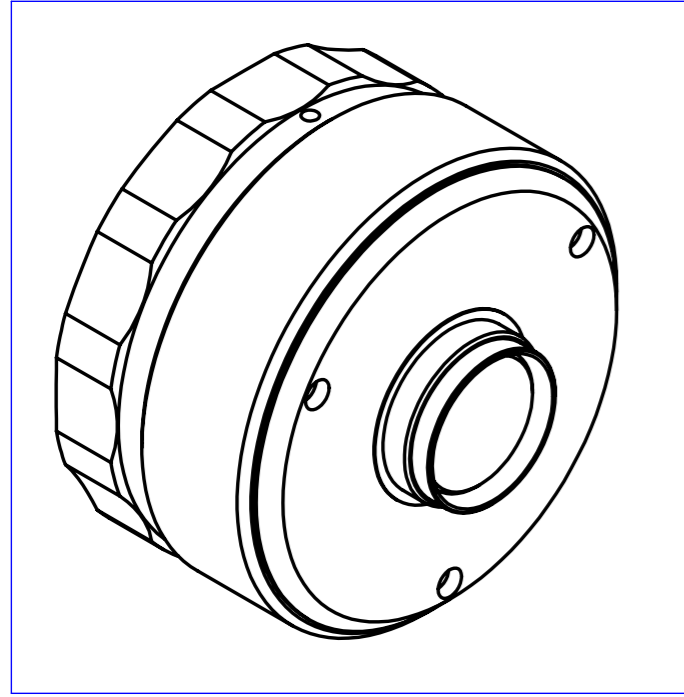
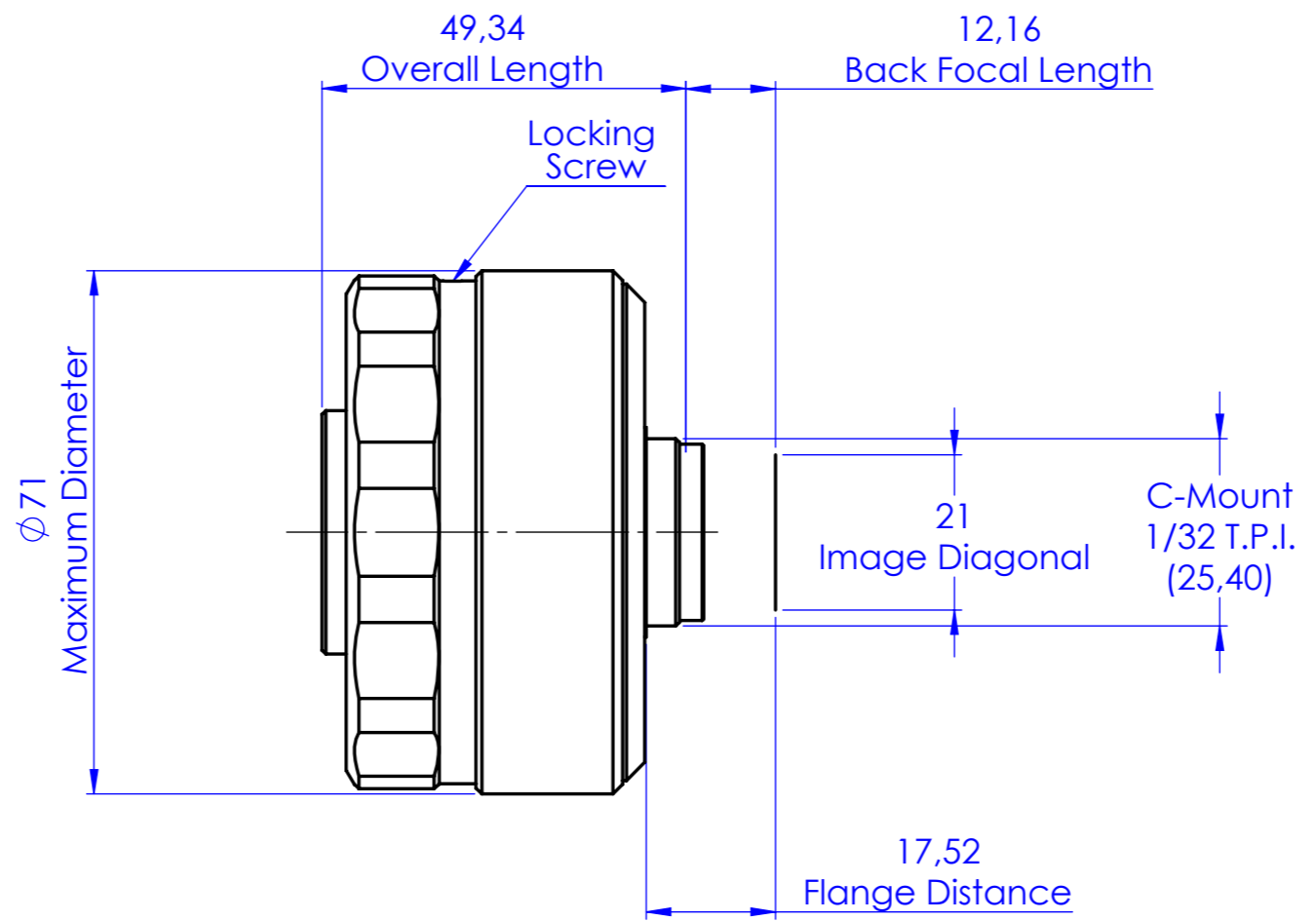
Material	N.A.		Mass	340 g	Scale	1:1			
Surface treatment	N.A.		Part No.	CO71263					
Geometrical tolerance (ISO 2768-2)		Class	K	Description					
Linear tolerance (ISO 2768-2)		Class	m	Undimensioned bevels	0,5x45°	SW03520			
0.5 ±3	>3± 6	>6± 30	>30± 120	>120 ±400	>400± 1000		>1000 ±2000	>2000 ±4000	Undimensioned radii
±0.1	±0.1	±0.2	±0.3	±0.5	±0.8	±1.2	±2	Drawing No.	
		Date	Name	Drawing No.			Sheet		
		Designed	17/07/2012	Vismara	DP71263-A		1/2		
		Drawn	08/03/2016	Rodella	<i>Secret and confidential - All rights reserved - No copy, dissemination or circulation is allowed unless specifically authorized in writing by OPTO ENGINEERING S.r.l. - Any violation shall be legally prosecuted.</i>				
<b>OPTO ENGINEERING S.r.l. - Mantova Italy - Tel. +39 0376 699111 - www.opto-engineering.com</b>									

1 2 3 4 5 6 7 8

0 1 2 3 4 5 6 7 8 9 10

1 2 3 4 5 6 7 8

Rev No.	Description	Date	Name



Material	N.A.		Mass	360 g	Scale	1:1			
Surface treatment	N.A.		Part No.	CO71263					
Geometrical tolerance (ISO 2768-2)		Class	K	Description					
Linear tolerance (ISO 2768-2)		Class	m	Undimensioned bevels	0,5x45°	SW03520			
0,5 ±3	>3± 6	>6± 30	>30± 120	>120 ±400	>400± 1000		>1000 ±2000	>2000 ±4000	Undimensioned radii
±0,1	±0,1	±0,2	±0,3	±0,5	±0,8	±1,2	±2	Drawing No.	
		Date	Name	Drawing No.			Sheet		
		Designed	17/07/2012	Vismara	DP71263-A		2/2		
		Drawn	08/03/2016	Rodella					
		Checked	<i>Secret and confidential - All rights reserved - No copy, dissemination or circulation is allowed unless specifically authorized in writing by OPTO ENGINEERING S.r.l. - Any violation shall be legally prosecuted.</i>						
OPTO ENGINEERING S.r.l. - Mantova Italy - Tel. +39 0376 699111 - www.opto-engineering.com									

1 2 3 4 5 6 7 8

0 1 2 3 4 5 6 7 8 9 10

all dimensions are in mm