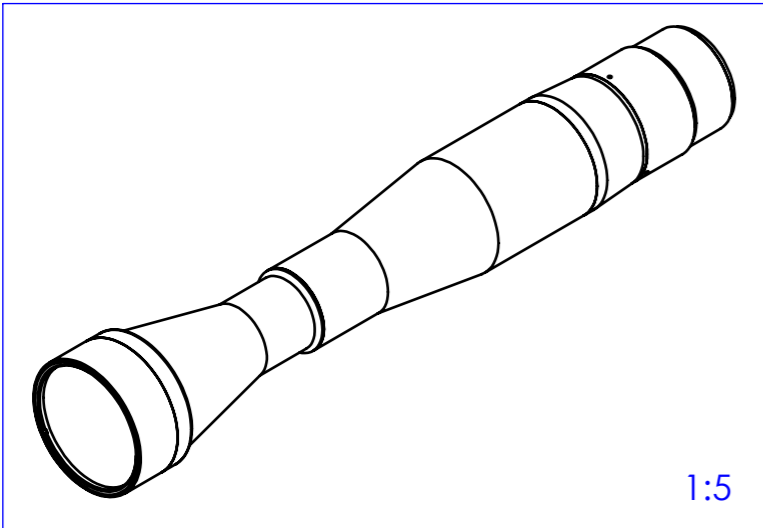
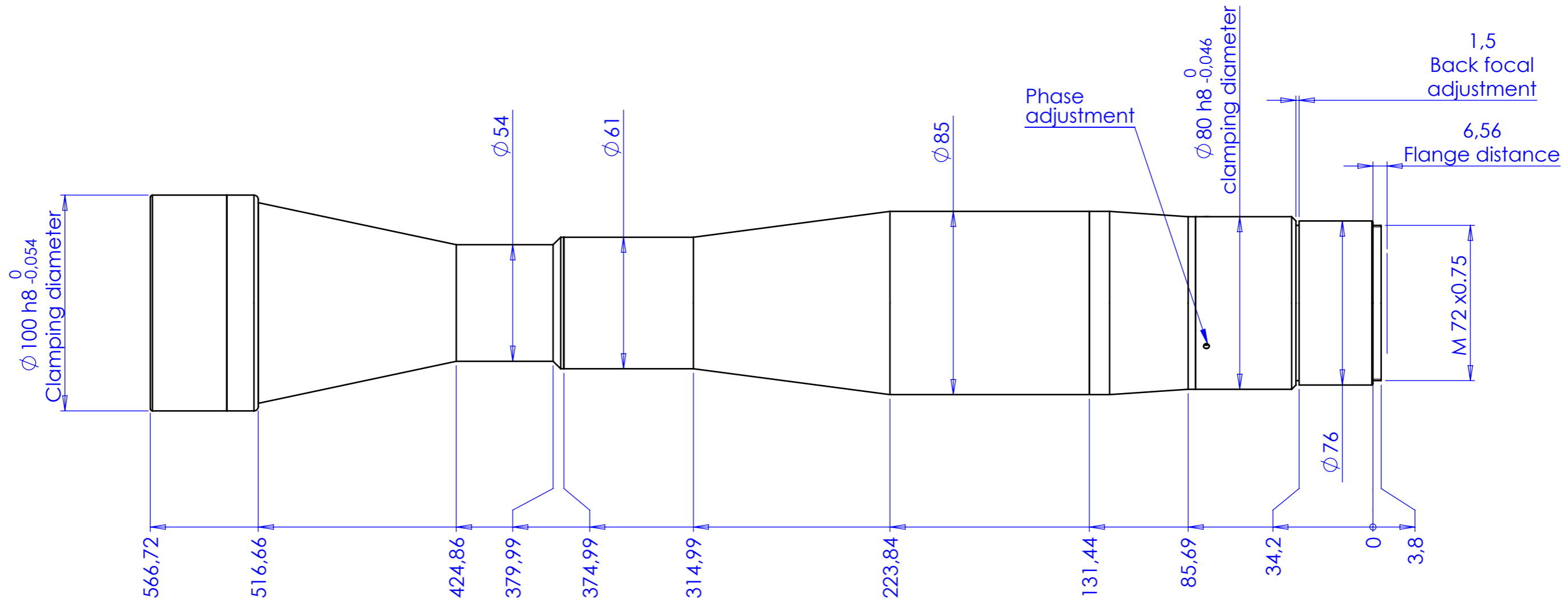


Rev No.	Description	Date	Name



Material		N.A.		Mass		2389 g		Scale		1:2							
Surface treatment		N.A.		Part No.		CO20110											
Geometrical tolerance (ISO 2768-2)								Class		K							
Linear tolerance (ISO 2768-2)								Class		m							
0.5	>3	>6	>30	>120	>400	>1000	>2000	Undimensioned bevels	0,5x45°								
±3	6	30	120	400	1000	±2000	±4000	Undimensioned radii	R 0.5								
±0.1	±0.1	±0.2	±0.3	±0.5	±0.8	±1.2	±2	Description		TC12K064							
								Date		Name		Drawing No.		Sheet			
								Designed		02/01/2015		Rodella		DP 20110-A		1/1	
								Drawn		15/01/2015		Rodella					
all dimensions are in mm OPTO ENGINEERING S.r.l. - Mantova Italy - Tel. +39 0376 699111 - www.opto-engineering.com								Secret and confidential - All rights reserved - No copy, dissemination or circulation is allowed unless specifically authorized in writing by OPTO ENGINEERING S.r.l. - Any violation shall be legally prosecuted.									

