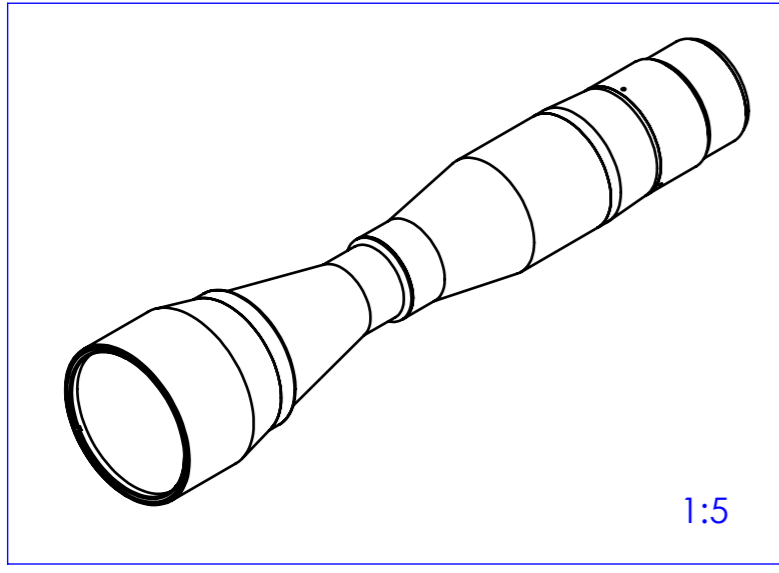
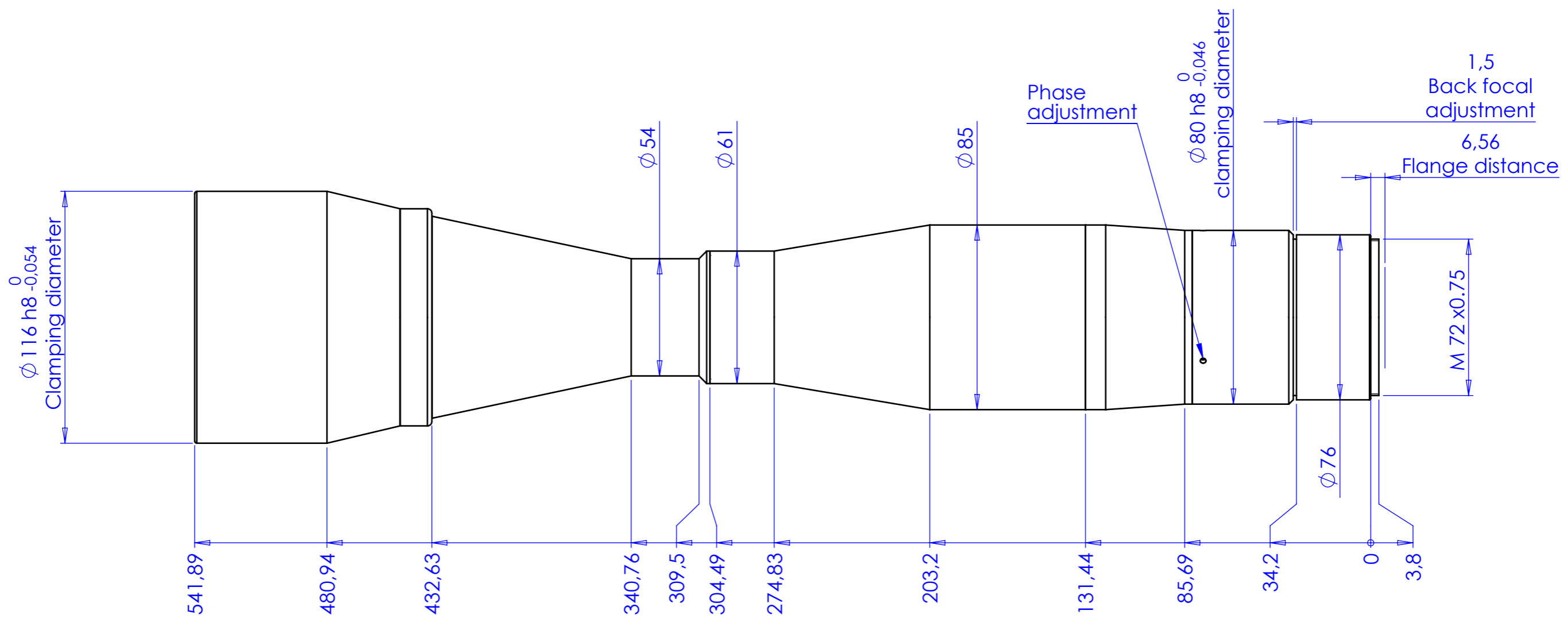


Rev No.	Description	Date	Name



Material		N.A.		Mass		2599 g		Scale		1:2			
Surface treatment		N.A.		Part No.		CO20120							
Geometrical tolerance (ISO 2768-2)								Class		K			
Linear tolerance (ISO 2768-2)								Class		m			
0.5	>3÷	>6÷	>30÷	>120	>400÷	>1000	>2000	Undimensioned bevels	0,5x45°				
±3	6	30	120	±400	1000	±2000	±4000	Undimensioned radii	R 0.5				
±0.1	±0.1	±0.2	±0.3	±0.5	±0.8	±1.2	±2	Description		TC12K080			
<p>all dimensions are in mm</p>				Date		Name		Drawing No.		Sheet			
				Designed		02/01/2015		Rodella		DP 20120-A		1/1	
				Drawn		15/01/2015		Rodella					
<p>OPTO ENGINEERING S.r.l. - Mantova Italy - Tel. +39 0376 699111 - www.opto-engineering.com</p>				<p>Secret and confidential - All rights reserved - No copy, dissemination or circulation is allowed unless specifically authorized in writing by OPTO ENGINEERING S.r.l. - Any violation shall be legally prosecuted.</p>									