



TCCR12080

CORE系列双远心镜头, 适用于1/2"探测器, 放大倍率0.080 x, C接口

参数

| | | |
|---------------------------|-------------------------|---------------------------|
| Part number (8) | | TCCR12080 |
| 放大 | (x) | 0.080 |
| Image shape dimension (9) | (\varnothing , x mm) | $\varnothing=8.1$, x=6.9 |
| Phase adjustment (7) | | Yes |

物方视场 (6)

| | | |
|--------------------------------|-----------|--------------------------|
| 1/3" 探测器(4.8 x 3.6 mm) | (mm x mm) | 59.8 x 44.8 |
| 1/2.5" 探测器(5.70 x 4.28 mm) | (mm x mm) | 71.0 x 53.2 |
| 1/2" 探测器(6.4 x 4.8 mm) | (mm x mm) | 79.7 x 59.8 |
| 1/1.8" 探测器(7.13 x 5.37 mm) | (mm x mm) | 86.0 x 66.8 |
| 2/3" - 5 MP探测器(8.45 x 7.07 mm) | (mm x mm) | $\varnothing=101$, x=86 |

光学规格

| | | |
|-----------------|-------|---------------|
| 工作距离 (1) | (mm) | 226.7 |
| 工作F值 (2) | | 8 |
| 典型 (最大) 远心度 (3) | (deg) | < 0.03 (0.08) |
| 典型 (最大) 畸变 (4) | (%) | < 0.04 (0.10) |
| 景深 (5) | (mm) | 104 |
| CTF @ 70 lp/mm | (%) | > 50 |

尺寸

| | | |
|----|------|------|
| 接口 | | C |
| A | (mm) | 119 |
| B | (mm) | 145 |
| C | (mm) | 159 |
| 质量 | (g) | 2984 |

兼容产品

LTCLCR080-x, CMHOCR080, CMPTCR080, LTCLHP080-x

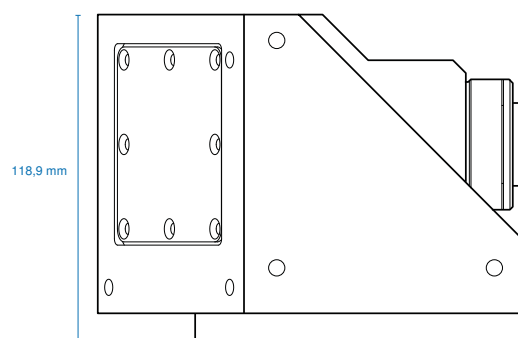
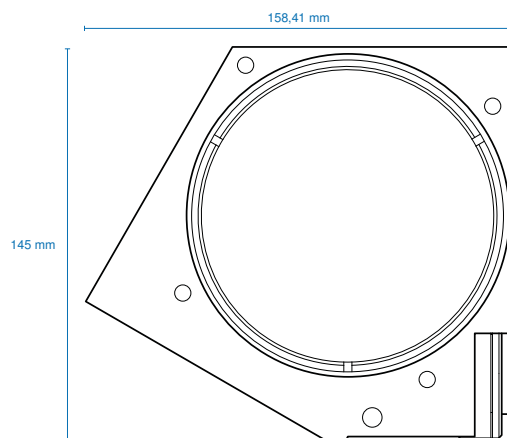
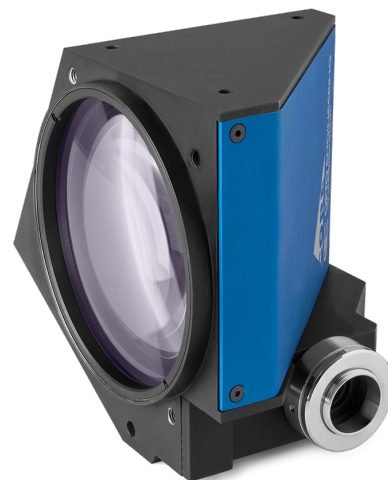
注释

- Working distance: distance between the front end of the mechanics and the object. Set this distance within +/- 3% of the nominal value for maximum resolution and minimum distortion.
- Working F-number (WF/#): the real F-number of a lens when used as a macro. Lenses with smaller apertures can be supplied on request.
- Maximum slope of chief rays inside the lens: when converted to millirad, it gives the maximum measurement error for any millimeter of object displacement. Typical (average production) values and maximum (guaranteed) values are listed.
- Percent deviation of the real image compared to an ideal, undistorted image: typical (average production) values and maximum (guaranteed) values are listed.
- At the borders of the field depth the image can be still used for measurement but, to get a perfectly sharp image, only half of the nominal field depth should be considered. Pixel size used for calculation is 5.5 μ m.
- In case the of vignetting, FOV dimensions are indicated with " $\varnothing = , x =$ ", where " $\varnothing =$ " stands for diameter and " $x =$ " indicates the nominal FOV height and length (see [Tech Info](#) for related drawing).
- Indicates the availability of an integrated camera phase adjustment feature.
- Due to the special shape of TCCR120xx it might be necessary to check the mechanical compatibility with your camera.
- Indicates the dimensions and shape of image, where " $\varnothing =$ " stands for diameter and " $x =$ " indicates the nominal image height and length ([Tech Info](#) for related drawing).

兼容产品



LTCLHP 系列
高性能远心照明器



| | |
|--------------------|---|
| LTCLHP080-R | Telecentric HP illuminator, beam diameter 100 mm, red |
| LTCLHP080-G | Telecentric HP illuminator, beam diameter 100 mm, green |
| LTCLHP080-B | Telecentric HP illuminator, beam diameter 100 mm, blue |
| LTCLHP080-W | Telecentric HP illuminator, beam diameter 100 mm, white |



LTCLHP CORE 系列
超紧凑型远心照明器

| | |
|--------------------|---------------------------|
| LTCLCR080-R | CORE远心照明器, 光束直径100 mm, 红色 |
| LTCLCR080-G | CORE远心照明器, 光束直径100 mm, 绿色 |
| LTCLCR080-W | CORE远心照明器, 光束直径100 mm, 白色 |



CMHOCR 系列
夹持机构 CORE 系列

| | |
|------------------|----------------------------|
| CMHOCR080 | 适用于CORE远心镜头和Ø 80mm照明器的夹持机构 |
|------------------|----------------------------|



CMPTCR 系列
安装板CORE系列

| | |
|------------------|-----------------------------|
| CMPTCR080 | 设计用于CORE远心镜头和Ø 80mm照明器的机械部件 |
|------------------|-----------------------------|