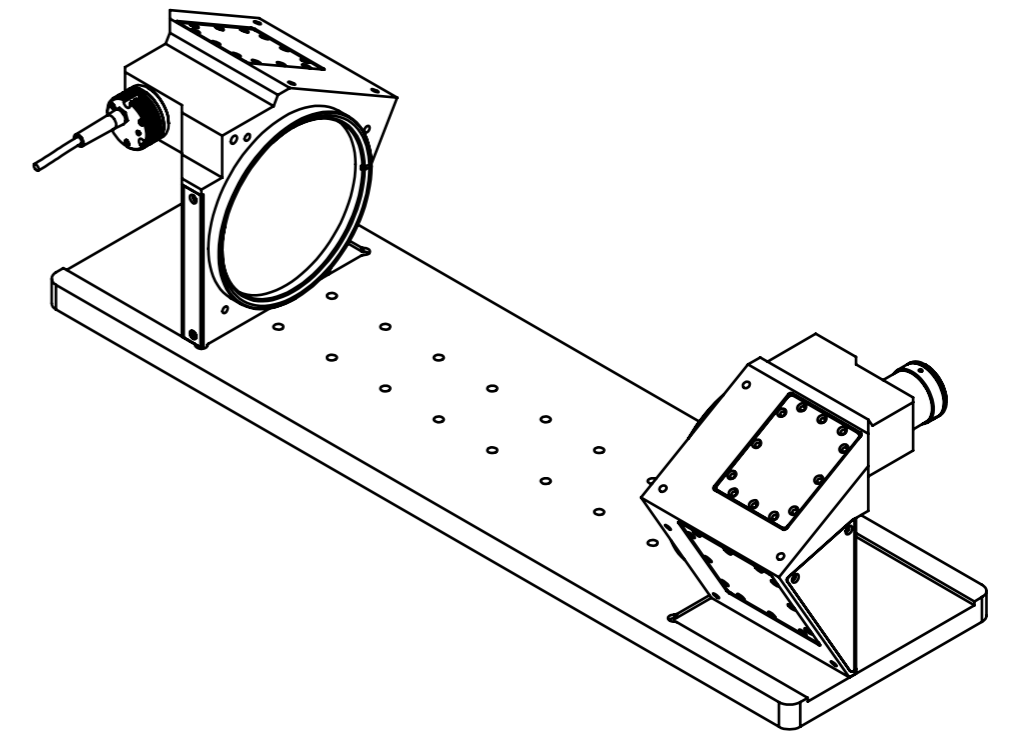


Rev No.	Description	Date	Name



Material	N.A.		Mass	15207 g	Scale	1:5
Surface treatment	N.A.		Part No.	CO24337		
Geometrical tolerance (ISO 2768-2)			Class	K	Undimensioned bevels	0.5x45°
Linear tolerance (ISO 2768-2)			Class	m	Undimensioned radii	R 0.5
0.5	>3	>6	>30	>120	>400	>1000
±3	±6	±30	±120	±400	±1000	±2000
±0.1	±0.1	±0.2	±0.3	±0.5	±0.8	±1.2
±0.1	±0.1	±0.2	±0.3	±0.5	±0.8	±1.2
			Date	Name		
			Designed	09/06/2015	Vasconetto	
			Drawn	29/07/2015	Rodella	
			Checked			
			Drawing No.		Sheet	
			DP 24337-A		1/1	
<i>Secret and confidential - All rights reserved - No copy, dissemination or circulation is allowed unless specifically authorized in writing by OPTO ENGINEERING S.r.l. - Any violation shall be legally prosecuted.</i>						

all dimensions are in mm



OPTO ENGINEERING S.r.l. - Mantova Italy - Tel. +39 0376 699111 - www.opto-engineering.com