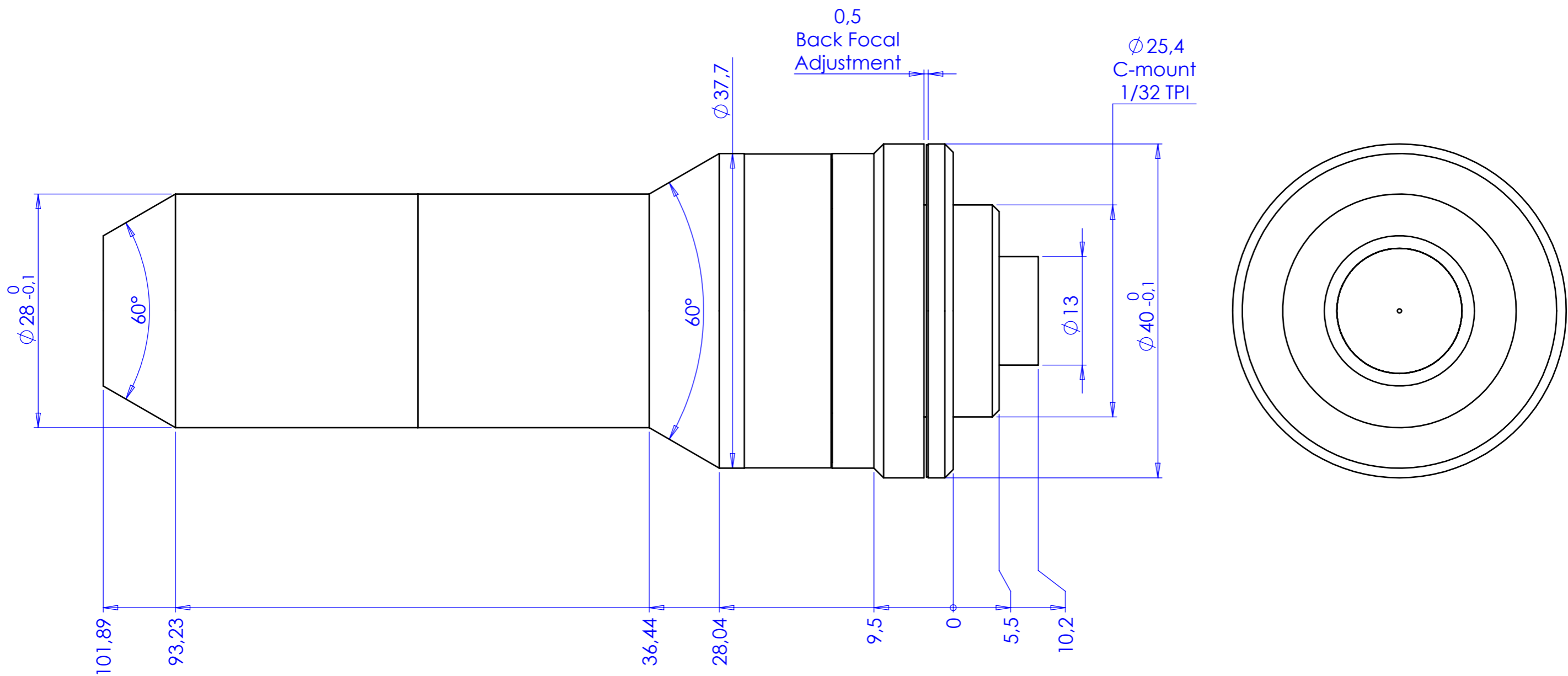


Rev No.	Description	Date	Name



Material	N.A.		Mass	211 g	Scale	2:1
Surface treatment	N.A.		Part No.	CO18341		
Geometrical tolerance (ISO 2768-2)	Class	K	Undimensioned bevels	0,5x45°		
Linear tolerance (ISO 2768-2)	Class	m	Undimensioned radii	R 0,5		
0,5 ±3	>3± 6	>6± 30	>30± 120	>120 ±400	>400± 1000	>1000 ±2000
±0,1	±0,1	±0,2	±0,3	±0,5	±0,8	±1,2
Date		Name		Drawing No.		
Designed 21/01/2015		Rodella		DP 18341 -A		
Drawn 25/03/2015		Rodella		Sheet 1/1		
Checked						
<p>all dimensions are in mm</p> <p><b>OPTO ENGINEERING S.r.l. - Mantova Italy - Tel. +39 0376 699111 - www.opto-engineering.com</b></p> <p><i>Secret and confidential - All rights reserved - No copy, dissemination or circulation is allowed unless specifically authorized in writing by OPTO ENGINEERING S.r.l. - Any violation shall be legally prosecuted.</i></p>						

A B C D

A B C D

0 1 2 3 4 5 6 7 8 9 10