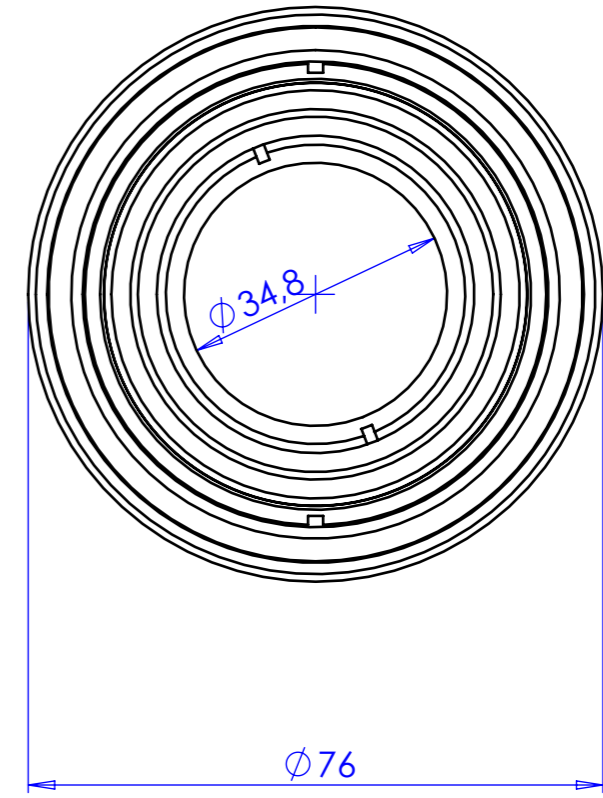
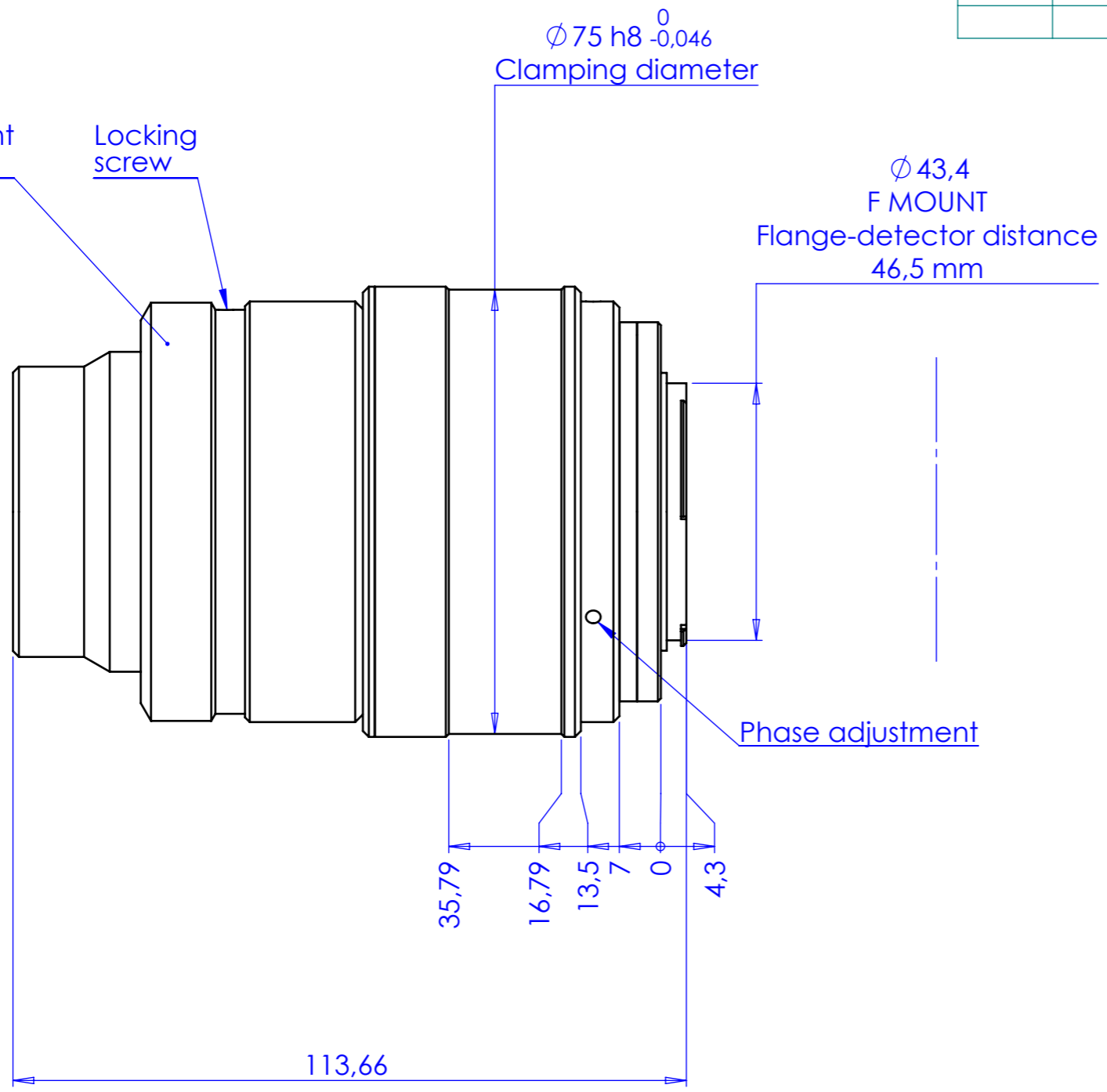


1 2 3 4 5 6 7 8

Rev No.	Description	Date	Name



NOMINAL WORKING DISTANCE  
223 mm  $\pm 3\%$

Material	N.A.		Mass	778 g	Scale	1:1
Surface treatment	N.A.		Part No.	CO22540		
Geometrical tolerance (ISO 2768-2)			Class	K	Undimensioned bevels	0,5x45°
Linear tolerance (ISO 2768-2)			Class	m	Undimensioned radii	R 0,5
0,5 $\pm 3$	>3 $\pm 6$	>6 $\pm 30$	>30 $\pm 120$	>120 $\pm 400$	>400 $\pm 1000$	>1000 $\pm 2000$
$\pm 0,1$	$\pm 0,1$	$\pm 0,2$	$\pm 0,3$	$\pm 0,5$	$\pm 0,8$	$\pm 1,2$
			Date	Name	Drawing No.	Sheet
			Designed	18/06/2014 Santini	DP 22540-A	1/1
			Drawn	11/07/2014 Vasconetto		
			Checked			
all dimensions are in mm <b>OPTO ENGINEERING S.r.l. - Mantova Italy - Tel. +39 0376 699111 - www.opto-engineering.com</b>						
<i>Secret and confidential - All rights reserved - No copy, dissemination or circulation is allowed unless specifically authorized in writing by OPTO ENGINEERING S.r.l. - Any violation shall be legally prosecuted.</i>						

1 2 3 4 5 6 7 8

0 1 2 3 4 5 6 7 8 9 10