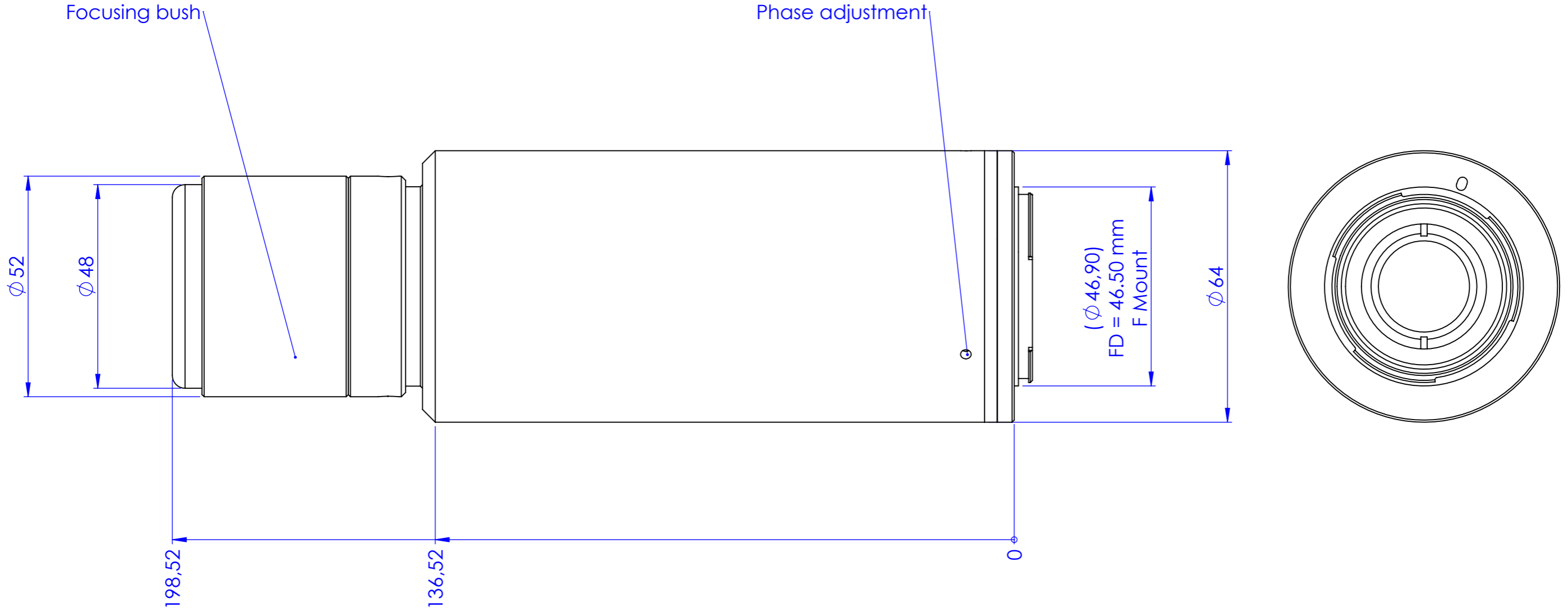


1 2 3 4 5 6 7 8

Rev No.	Description	Date	Name



D
C
B
A

D
C
B
A

Material		N.A.		Mass		719.64 g		Scale		1:1			
Surface treatment		N.A.		Part No.		CO23013							
Geometrical tolerance (ISO 2768-2)								Class		K			
Linear tolerance (ISO 2768-2)								Class		m			
0.5	>3÷	>6÷	>30÷	>120	>400÷	>1000	>2000	Undimensioned bevels	0.5x45°	Description			
±3	6	30	120	±400	±1000	±2000	±4000						
±0.1	±0.1	±0.2	±0.3	±0.5	±0.8	±1.2	±2	Undimensioned radii	R 0.5	MC4K 1.75X F			
 OPTO ENGINEERING <small>THE TELECENTRIC COMPANY</small>				Date		Name		Drawing No.		Sheet			
				Designed		04/06/2014		Bna		DP 23013-A		1/1	
				Drawn		19/06/2014		Bna					
all dimensions are in mm OPTO ENGINEERING S.r.l. - Mantova Italy - Tel. +39 0376 699111 - www.opto-engineering.com				Checked				Secret and confidential - All rights reserved - No copy, dissemination or circulation is allowed unless specifically authorized in writing by OPTO ENGINEERING S.r.l. - Any violation shall be legally prosecuted.					

1 2 3 0 1 2 3 4 5 6 7 8 9 10 6 7 8