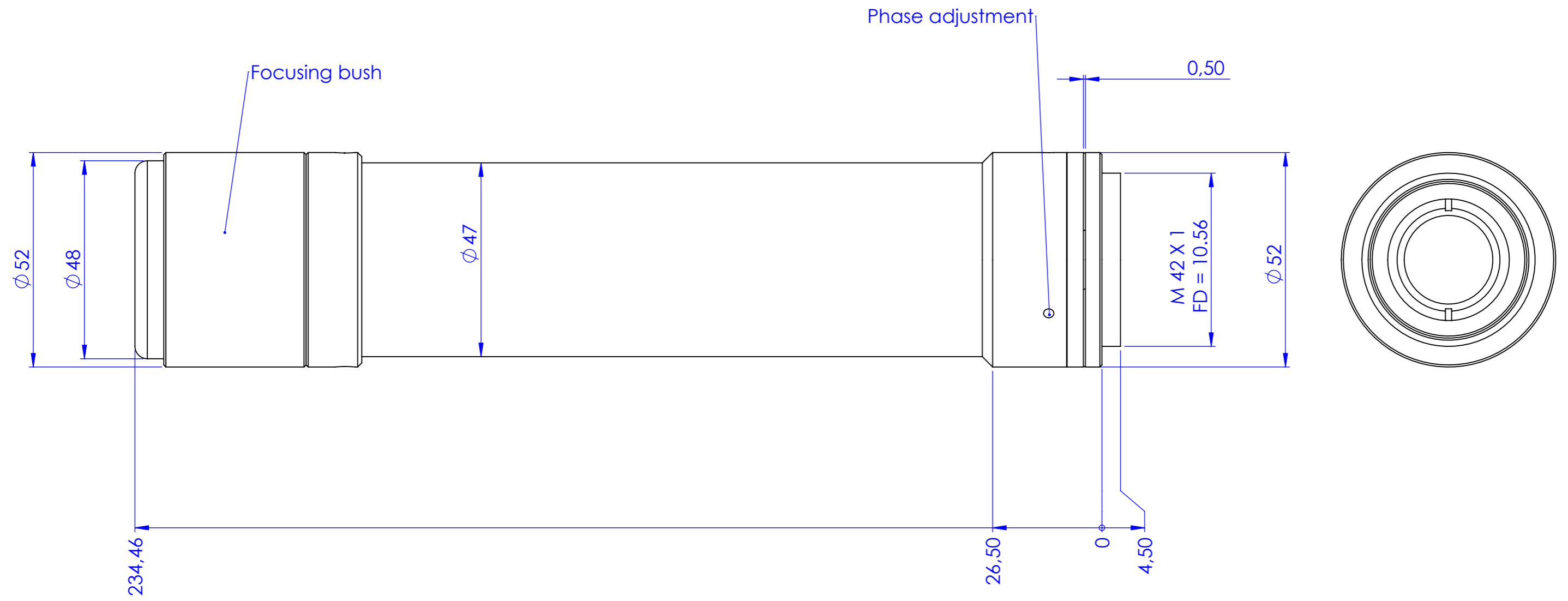


Rev No.	Description	Date	Name



Material	N.A.			Mass	658.25 g	Scale	1:1	
Surface treatment	N.A.			Part No.	CO23014			
Geometrical tolerance (ISO 2768-2)			Class	K	Description			
Linear tolerance (ISO 2768-2)			Class	m	Undimensioned bevels	0.5x45°	MC4K 1.75X M42	
0.5 ±3	>3÷ 6	>6÷ 30	>30÷ 120	>120 ±400	>400÷ 1000	>1000 ±2000		>2000 ±4000
±0.1	±0.1	±0.2	±0.3	±0.5	±0.8	±1.2	±2	
Undimensioned radii			R 0.5		Drawing No.			
			Date	Name	Sheet			
			Designed	04/06/2014	Bna	DP 23014-A		
			Drawn	19/06/2014	Bna	1/1		
Checked			Date			<i>Secret and confidential - All rights reserved - No copy, dissemination or circulation is allowed unless specifically authorized in writing by OPTO ENGINEERING S.r.l. - Any violation shall be legally prosecuted.</i>		
OPTO ENGINEERING S.r.l. - Mantova Italy - Tel. +39 0376 699111 - www.opto-engineering.com								

all dimensions are in mm

