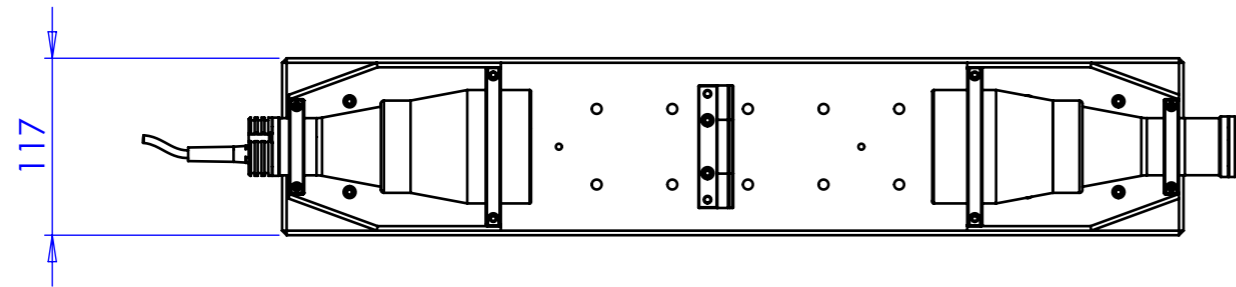
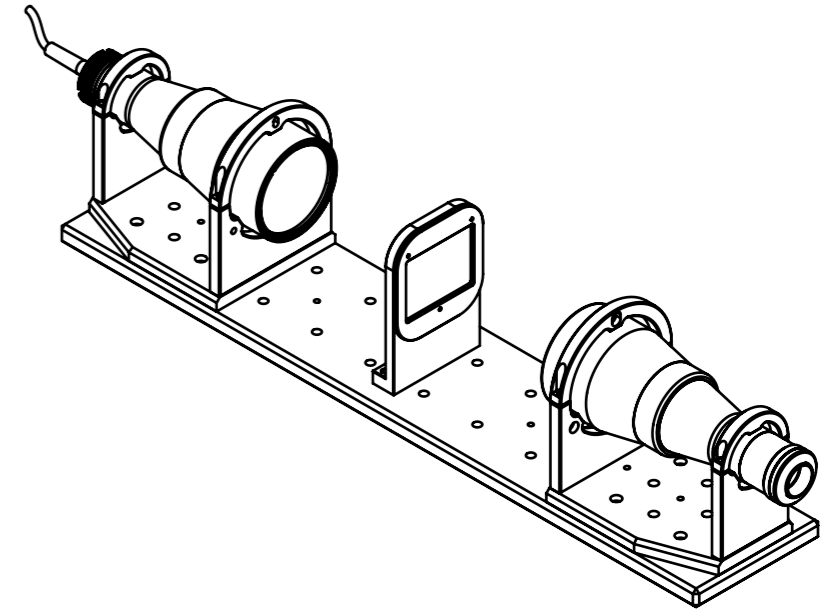
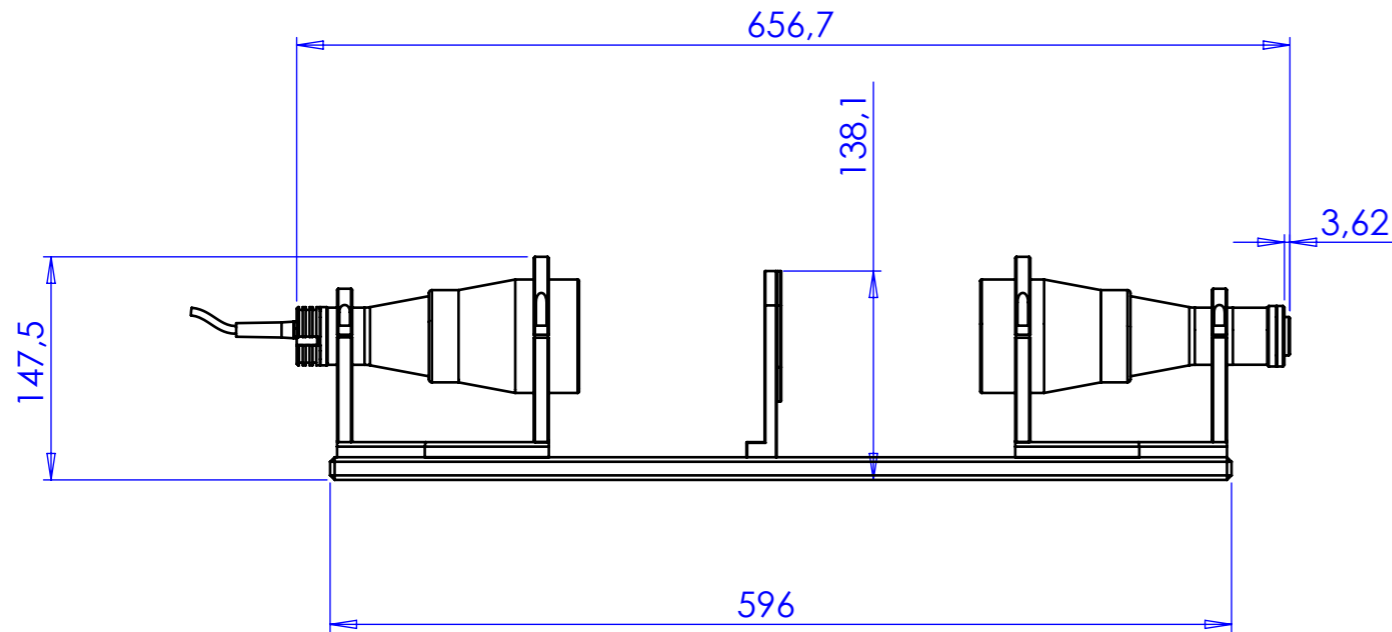



1 2 3 4 5 6 7 8

Rev No.	Description	Date	Name



D
C
B
A

D
C
B
A

Material		N.A.		Mass		5630 g		Scale		1:5					
Surface treatment		N.A.		Part No.		CO22474									
Geometrical tolerance (ISO 2768-2)								Class		K					
Linear tolerance (ISO 2768-2)								Class		m					
0.5	>3±	>6±	>30±	>120	>400±	>1000	>2000	Undimensioned bevels	0.5x45°						
±3	6	30	120	±400	1000	±2000	±4000	Undimensioned radii	R 0.5						
±0.1	±0.1	±0.2	±0.3	±0.5	±0.8	±1.2	±2	Description							
								Date		Name		Drawing No.		Sheet	
Designed 30/05/2014 Vasconetto Drawn 30/05/2014 Vasconetto Checked								30/05/2014		Vasconetto		DP 22474-A		1/1	
all dimensions are in mm OPTO ENGINEERING S.r.l. - Mantova Italy - Tel. +39 0376 699111 - www.opto-engineering.com															
Secret and confidential - All rights reserved - No copy, dissemination or circulation is allowed unless specifically authorized in writing by OPTO ENGINEERING S.r.l. - Any violation shall be legally prosecuted.															

1 2 3 0 1 2 3 4 5 6 7 8 9 10 6 7 8