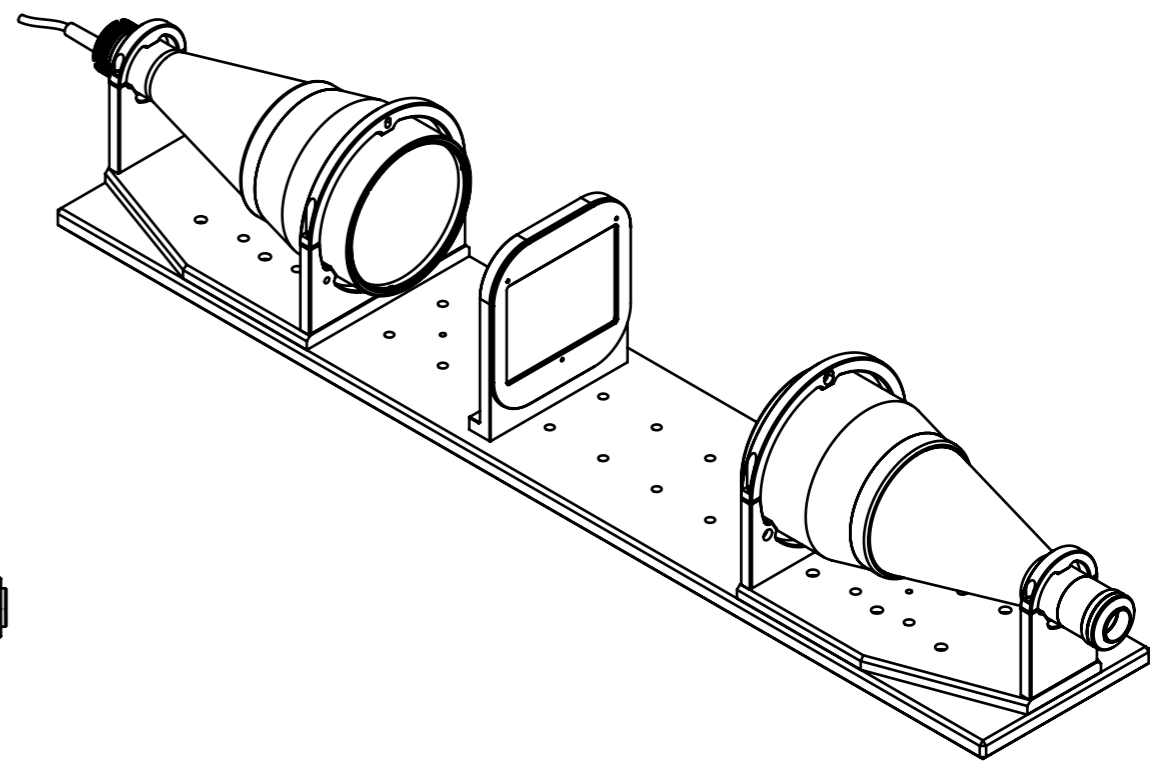
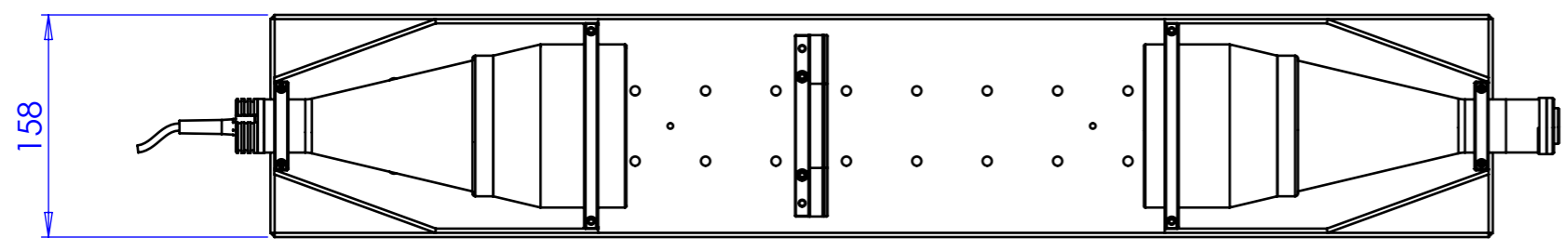
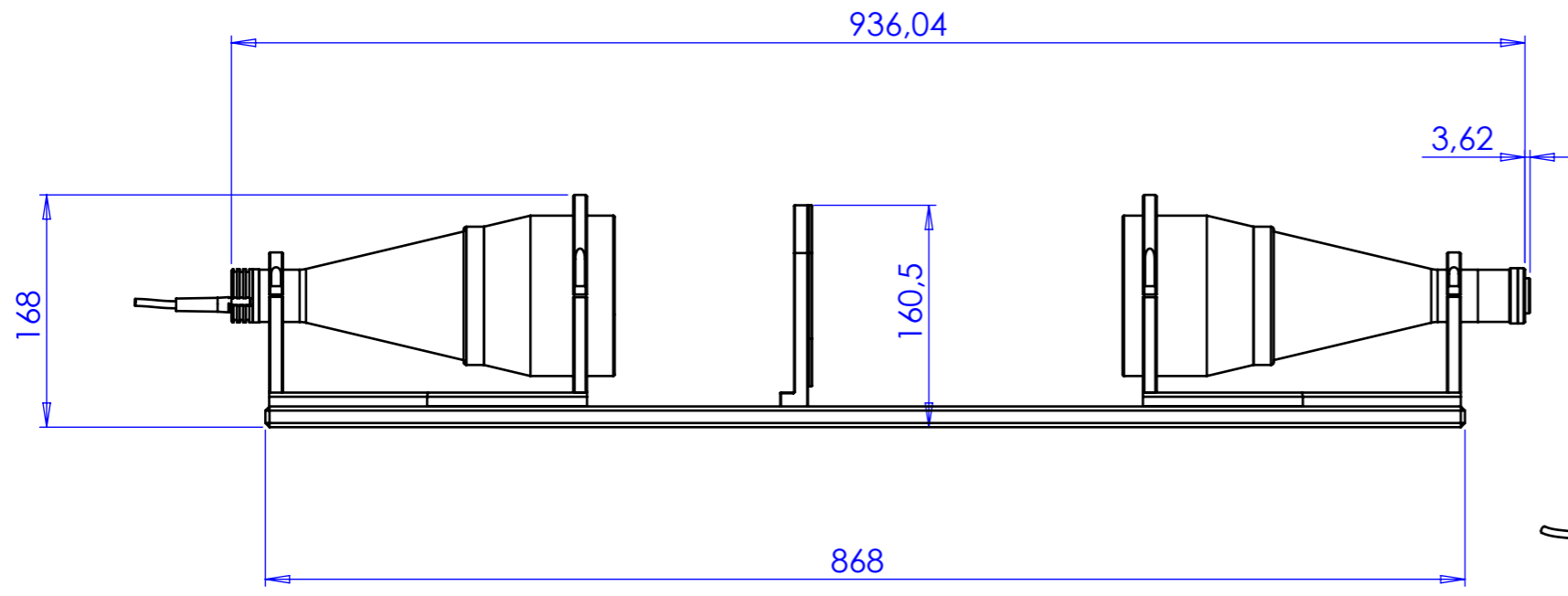


1 2 3 4 5 6 7 8

Rev No.	Description	Date	Name



D  
C  
B  
A

D  
C  
B  
A

Material	N.A.	Mass	11150 g	Scale	1:5	
Surface treatment	N.A.	Part No.	CO22477			
Geometrical tolerance (ISO 2768-2)		Class	K	Undimensioned bevels	0.5x45°	
Linear tolerance (ISO 2768-2)		Class	m	Undimensioned radii	R 0.5	
0.5 ±3	>3± 6	>6± 30	>30± 120	>120 ±400	>400± 1000	
±0.1	±0.1	±0.2	±0.3	±0.5	±0.8	
					>1000 ±2000	
					±4000	
					±2	
 OPTO ENGINEERING S.r.l. - Mantova Italy - Tel. +39 0376 699111 - www.opto-engineering.com		Date	Name	Drawing No.	Sheet	
		Designed	30/05/2014	Vasconetto	DP 22477-A	1/1
		Drawn	30/05/2014	Vasconetto		
		Checked		Secret and confidential - All rights reserved - No copy, dissemination or circulation is allowed unless specifically authorized in writing by OPTO ENGINEERING S.r.l. - Any violation shall be legally prosecuted.		

all dimensions are in mm

1 2 3 4 5 6 7 8

0 1 2 3 4 5 6 7 8 9 10