



# TCCR23056

CORE系列双远心镜头, 适用于2/3"探测器, 放大倍率0.157 x, C接口

## 参数

Part number (8)		TCCR23056
放大	(x)	0.157
Image shape dimension (9)	( $\varnothing$ , x mm)	$\varnothing=11.1$ , x=9.6
Phase adjustment (7)		Yes

## 物方视场 (6)

1/3" 探测器(4.8 x 3.6 mm)	(mm x mm)	30.6 x 22.9
1/2.5" 探测器(5.70 x 4.28 mm)	(mm x mm)	36.3 x 27.2
1/2" 探测器(6.4 x 4.8 mm)	(mm x mm)	40.7 x 30.6
1/1.8" 探测器(7.13 x 5.37 mm)	(mm x mm)	45.4 x 34.2
2/3" - 5 MP探测器(8.45 x 7.07 mm)	(mm x mm)	53.8 x 45.0

## 光学规格

工作距离 (1)	(mm)	157.8
工作F值 (2)		8
典型 (最大) 远心度 (3)	(deg)	< 0.05 (0.08)
典型 (最大) 畸变 (4)	(%)	< 0.03 (0.10)
景深 (5)	(mm)	27
CTF @ 70 lp/mm	(%)	> 45

## 尺寸

接口		C
A	(mm)	94
B	(mm)	110
C	(mm)	145
质量	(g)	1559

## 兼容产品

LTCLCR056-x, CMHOCR056, CMPTR056, LTCLHP056-x

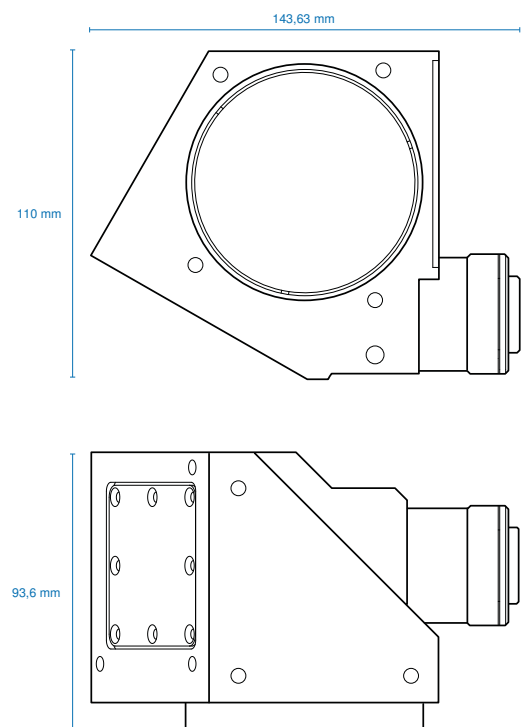
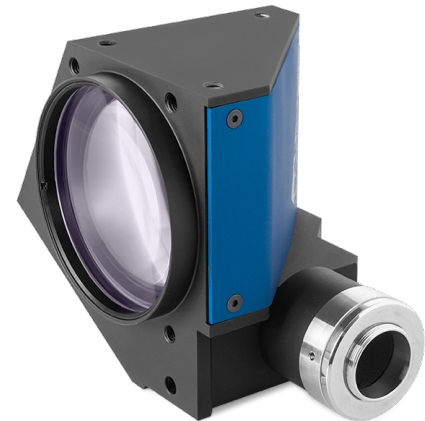
## 注释

- Working distance: distance between the front end of the mechanics and the object. Set this distance within +/- 3% of the nominal value for maximum resolution and minimum distortion.
- Working F-number (wF/#): the real F-number of a lens when used as a macro. Lenses with smaller apertures can be supplied on request.
- Maximum slope of chief rays inside the lens: when converted to millirad, it gives the maximum measurement error for any millimeter of object displacement. Typical (average production) values and maximum (guaranteed) values are listed.
- Percent deviation of the real image compared to an ideal, undistorted image: typical (average production) values and maximum (guaranteed) values are listed.
- At the borders of the field depth the image can be still used for measurement but, to get a perfectly sharp image, only half of the nominal field depth should be considered. Pixel size used for calculation is 5.5  $\mu\text{m}$ .
- In case the of vignetting, FOV dimensions are indicated with " $\varnothing =$ , x=", where " $\varnothing =$ " stands for diameter and "x=" indicates the nominal FOV height and length (see [Tech Info](#) for related drawing).
- Indicates the availability of an integrated camera phase adjustment feature.
- Due to the special shape of TCCR120xx it might be necessary to check the mechanical compatibility with your camera.
- Indicates the dimensions and shape of image, where " $\varnothing =$ " stands for diameter and "x=" indicates the nominal image height and length ([Tech Info](#) for related drawing).

## 兼容产品



LTCLHP 系列  
高性能远心照明器



<b>LTCLHP056-R</b>	Telecentric HP illuminator, beam diameter 70 mm, red
<b>LTCLHP056-G</b>	Telecentric HP illuminator, beam diameter 70 mm, green
<b>LTCLHP056-B</b>	Telecentric HP illuminator, beam diameter 70 mm, blue
<b>LTCLHP056-W</b>	Telecentric HP illuminator, beam diameter 70 mm, white



**LTCLHP CORE 系列**  
超紧凑型远心照明器

<b>LTCLCR056-R</b>	CORE远心照明器, 光束直径70 mm, 红色
<b>LTCLCR056-G</b>	CORE远心照明器, 光束直径70 mm, 绿色
<b>LTCLCR056-W</b>	CORE远心照明器, 光束直径70 mm, 白色



**CMHOCR 系列**  
夹持机构 CORE 系列

<b>CMHOCR056</b>	适用于CORE远心镜头和Ø 56mm照明器的夹持机构
------------------	----------------------------



**CMPTCR 系列**  
安装板CORE系列

<b>CMPTCR056</b>	设计用于CORE远心镜头和Ø 56mm照明器的机械部件
------------------	-----------------------------