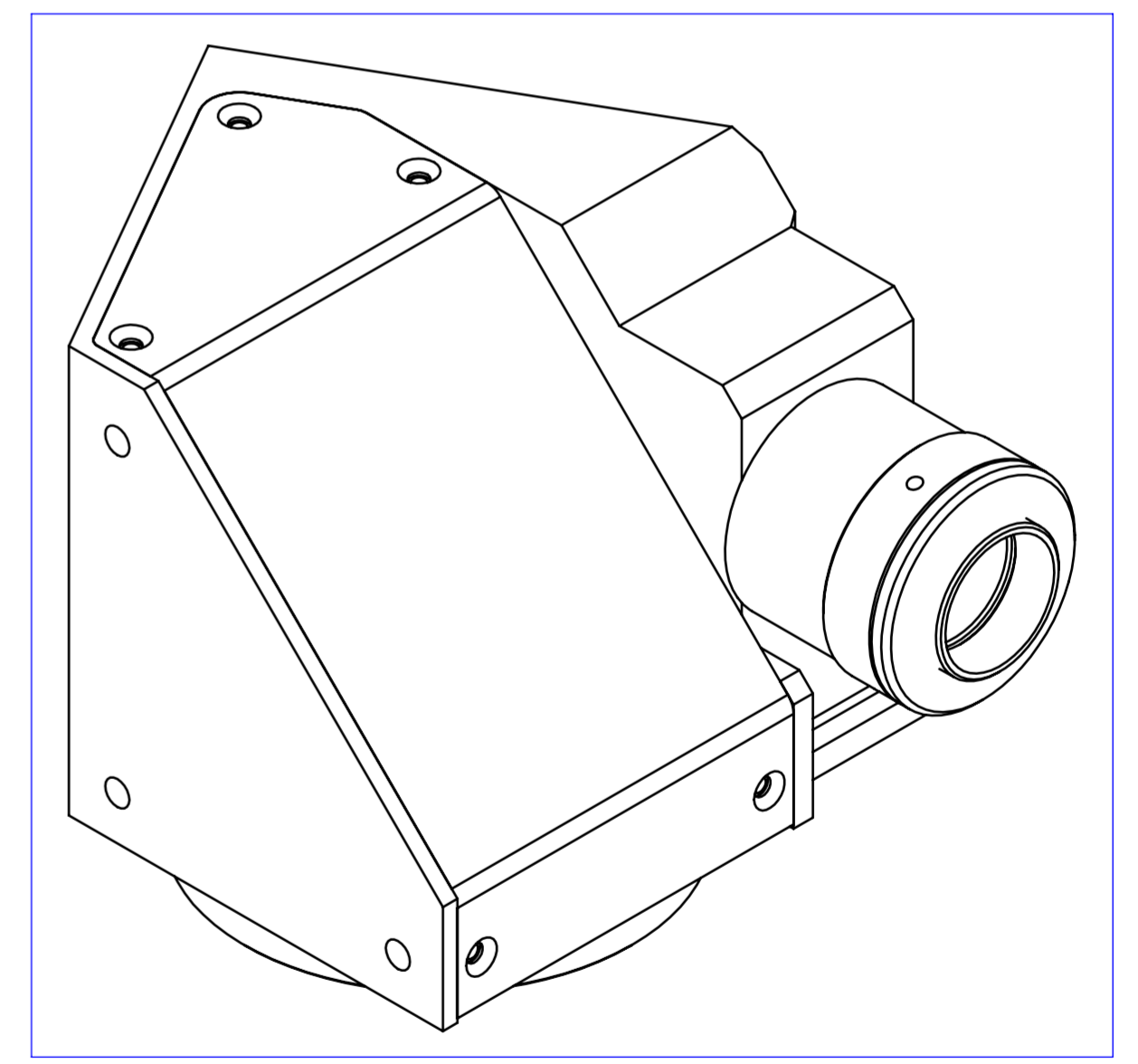
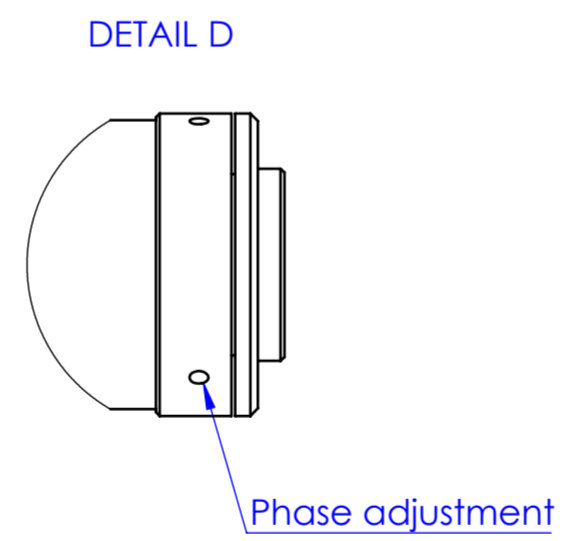
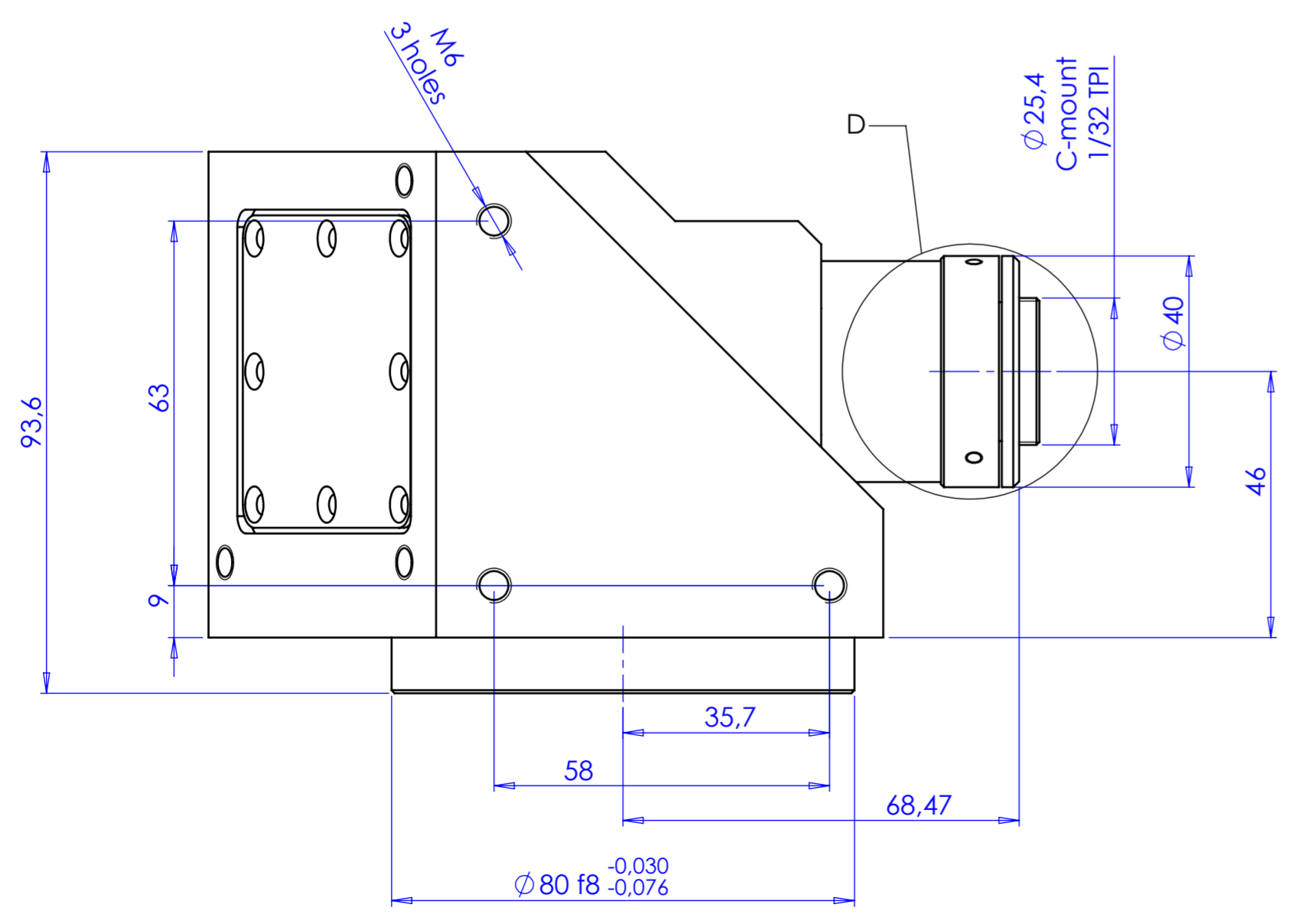
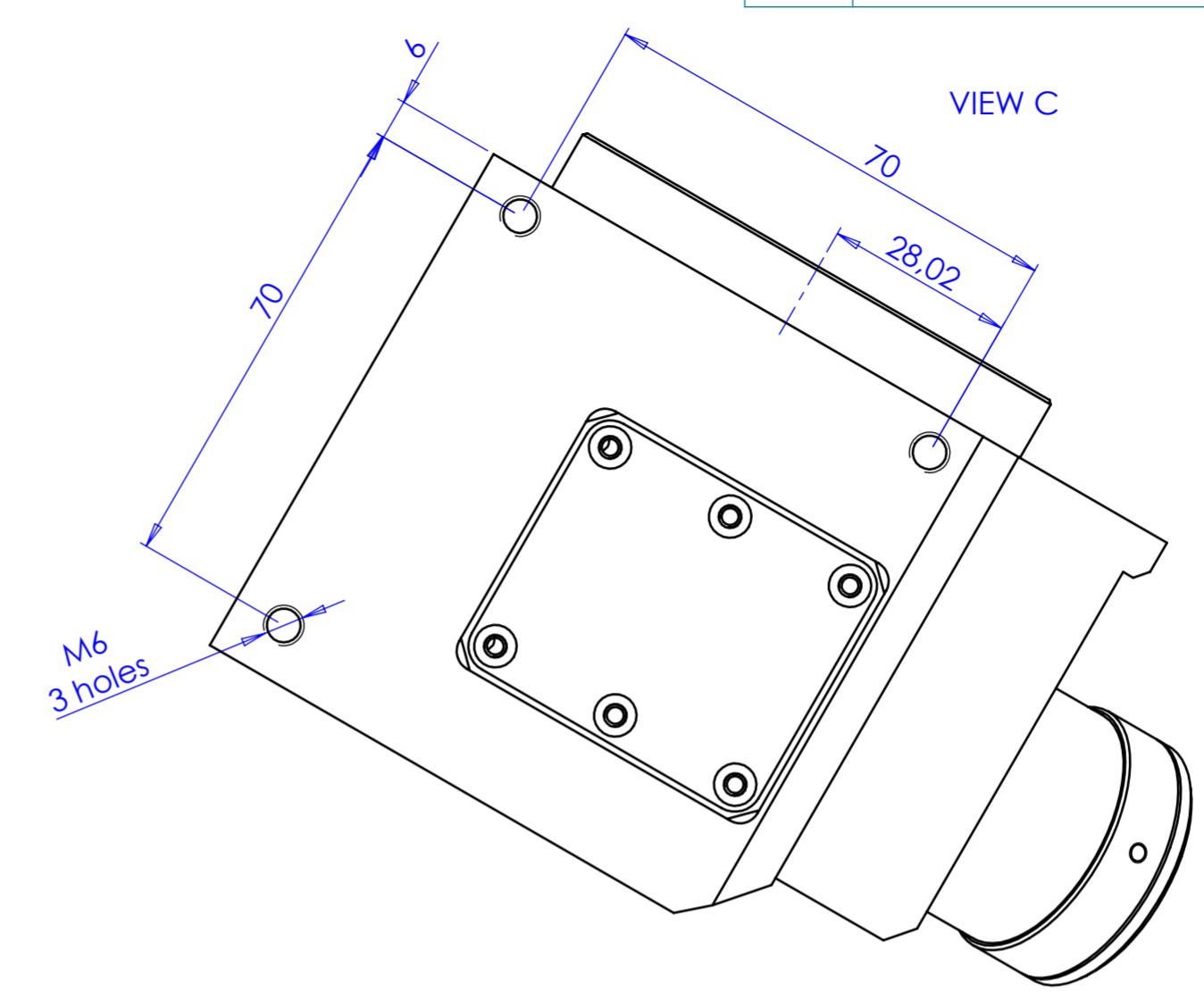
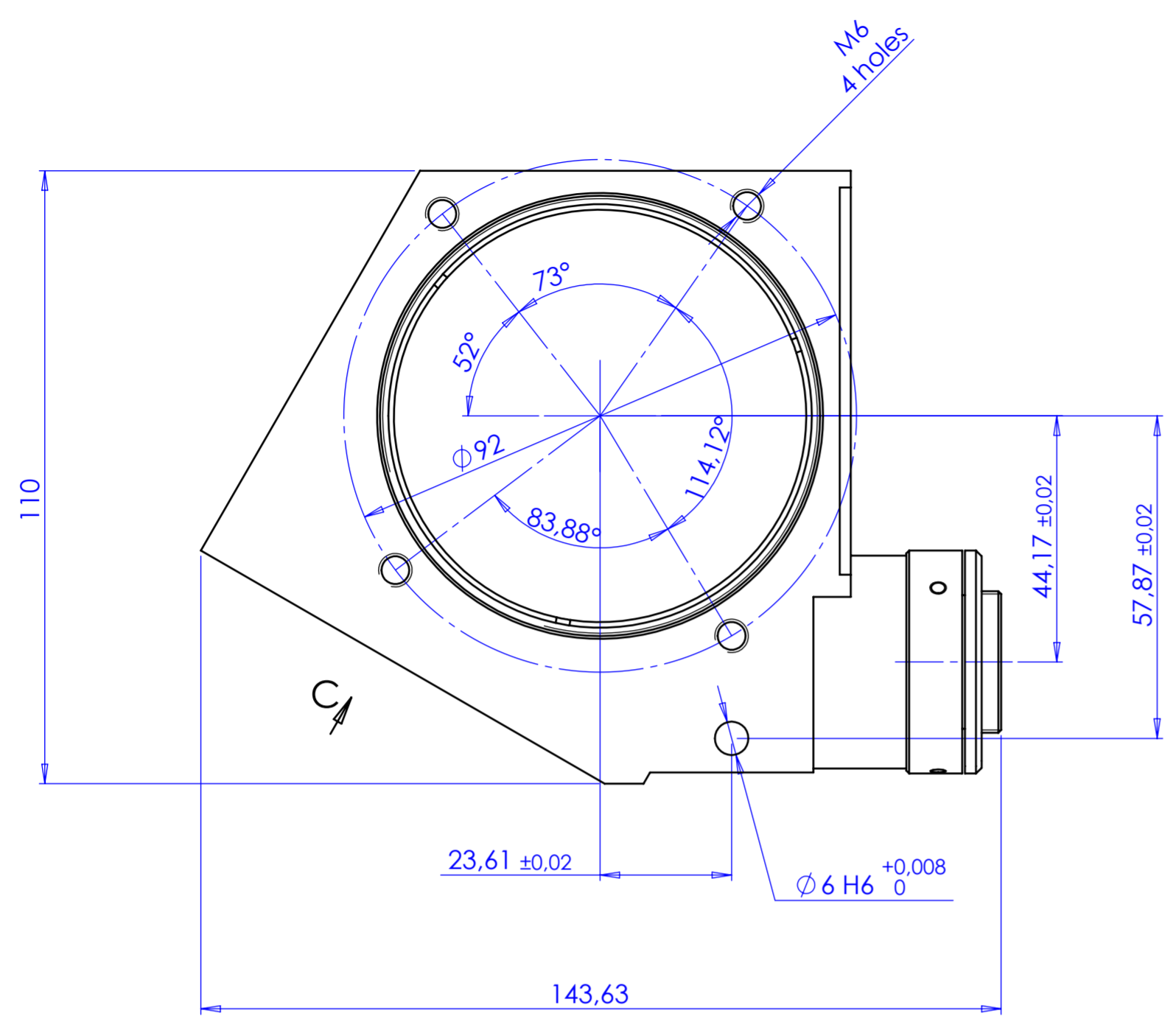


Rev No.	Description	Date	Name
B	Aggiunte quote	13/01/2017	Rodella



Material	N.A.	Mass	2473 g	Scale	1:1						
Surface treatment	N.A.	Part No.	CO23950								
Geometrical tolerance (ISO 2768-2)	Class	K	Undimensioned bevels	0.5x45°	Description						
0.5	>3+	>6+	>30+	>120	>400+	>1000	>2000	>4000	Undimensioned radii	R 0.5	TCCR23056
+3	6	30	120	400	1000	2000	4000	±2			
+0.1	+0.1	+0.2	+0.3	+0.5	+0.8	+1.2					
 <b>OPTO ENGINEERING</b> <small>THE TELECENTRIC COMPANY</small>	Designed	13/05/2015	Name		Vasconetto						
	Drawn	16/07/2015	Name		Rodella						
	Checked		Date								
<b>OPTO ENGINEERING S.r.l. - Mantova Italy - Tel. +39 0376 699111 - www.opto-engineering.com</b>					Drawing No. <b>DP 23950-B</b>						
<small>Secret and confidential - All rights reserved - No copy, dissemination or circulation is allowed unless specifically authorized in writing by OPTO ENGINEERING S.r.l. - Any violation shall be legally prosecuted.</small>					Sheet <b>1/1</b>						

