



TCCR23080

CORE系列双远心镜头, 适用于2/3"探测器, 放大倍率0.110 x, C接口

参数

Part number (8)		TCCR23080
放大	(x)	0.110
Image shape dimension (9)	(\varnothing , x mm)	$\varnothing=11.1$, x=9.6
Phase adjustment (7)		Yes

物方视场 (6)

1/3" 探测器(4.8 x 3.6 mm)	(mm x mm)	43.5 x 32.6
1/2.5" 探测器(5.70 x 4.28 mm)	(mm x mm)	51.7 x 38.8
1/2" 探测器(6.4 x 4.8 mm)	(mm x mm)	58.0 x 43.5
1/1.8" 探测器(7.13 x 5.37 mm)	(mm x mm)	64.6 x 48.7
2/3" - 5 MP探测器(8.45 x 7.07 mm)	(mm x mm)	76.5 x 64.0

光学规格

工作距离 (1)	(mm)	226.7
工作F值 (2)		8
典型 (最大) 远心度 (3)	(deg)	< 0.04 (0.08)
典型 (最大) 畸变 (4)	(%)	< 0.02 (0.10)
景深 (5)	(mm)	55
CTF @ 70 lp/mm	(%)	> 50

尺寸

接口		C
A	(mm)	119
B	(mm)	145
C	(mm)	172
质量	(g)	3029

兼容产品

LTCLCR080-x, CMHOCR080, CMPTCR080, LTCLHP080-x

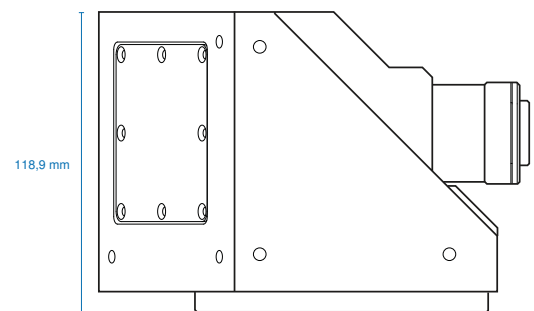
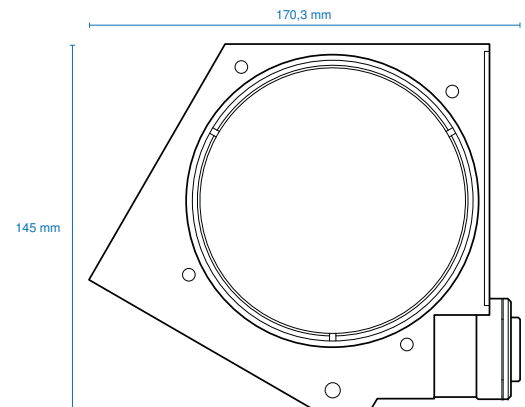
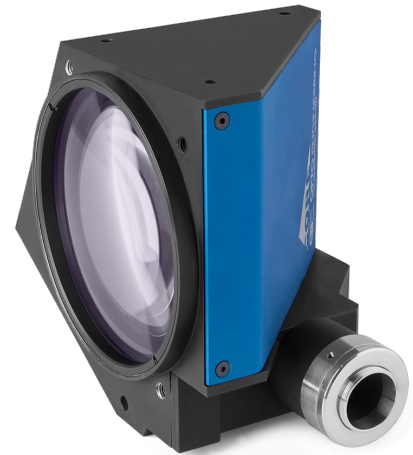
注释

- Working distance: distance between the front end of the mechanics and the object. Set this distance within +/- 3% of the nominal value for maximum resolution and minimum distortion.
- Working F-number (WF/#): the real F-number of a lens when used as a macro. Lenses with smaller apertures can be supplied on request.
- Maximum slope of chief rays inside the lens: when converted to millirad, it gives the maximum measurement error for any millimeter of object displacement. Typical (average production) values and maximum (guaranteed) values are listed.
- Percent deviation of the real image compared to an ideal, undistorted image: typical (average production) values and maximum (guaranteed) values are listed.
- At the borders of the field depth the image can be still used for measurement but, to get a perfectly sharp image, only half of the nominal field depth should be considered. Pixel size used for calculation is 5.5 μ m.
- In case the of vignetting, FOV dimensions are indicated with " $\varnothing =$, x=", where " $\varnothing =$ " stands for diameter and "x=" indicates the nominal FOV height and length (see [Tech Info](#) for related drawing).
- Indicates the availability of an integrated camera phase adjustment feature.
- Due to the special shape of TCCR120xx it might be necessary to check the mechanical compatibility with your camera.
- Indicates the dimensions and shape of image, where " $\varnothing =$ " stands for diameter and "x=" indicates the nominal image height and length ([Tech Info](#) for related drawing).

兼容产品



LTCLHP 系列
高性能远心照明器



LTCLHP080-R	Telecentric HP illuminator, beam diameter 100 mm, red
LTCLHP080-G	Telecentric HP illuminator, beam diameter 100 mm, green
LTCLHP080-B	Telecentric HP illuminator, beam diameter 100 mm, blue
LTCLHP080-W	Telecentric HP illuminator, beam diameter 100 mm, white



LTCLHP CORE 系列
超紧凑型远心照明器

LTCLCR080-R	CORE远心照明器, 光束直径100 mm, 红色
LTCLCR080-G	CORE远心照明器, 光束直径100 mm, 绿色
LTCLCR080-W	CORE远心照明器, 光束直径100 mm, 白色



CMHOCR 系列
夹持机构 CORE 系列

CMHOCR080	适用于CORE远心镜头和Ø 80mm照明器的夹持机构
------------------	----------------------------



CMPTCR 系列
安装板CORE系列

CMPTCR080	设计用于CORE远心镜头和Ø 80mm照明器的机械部件
------------------	-----------------------------