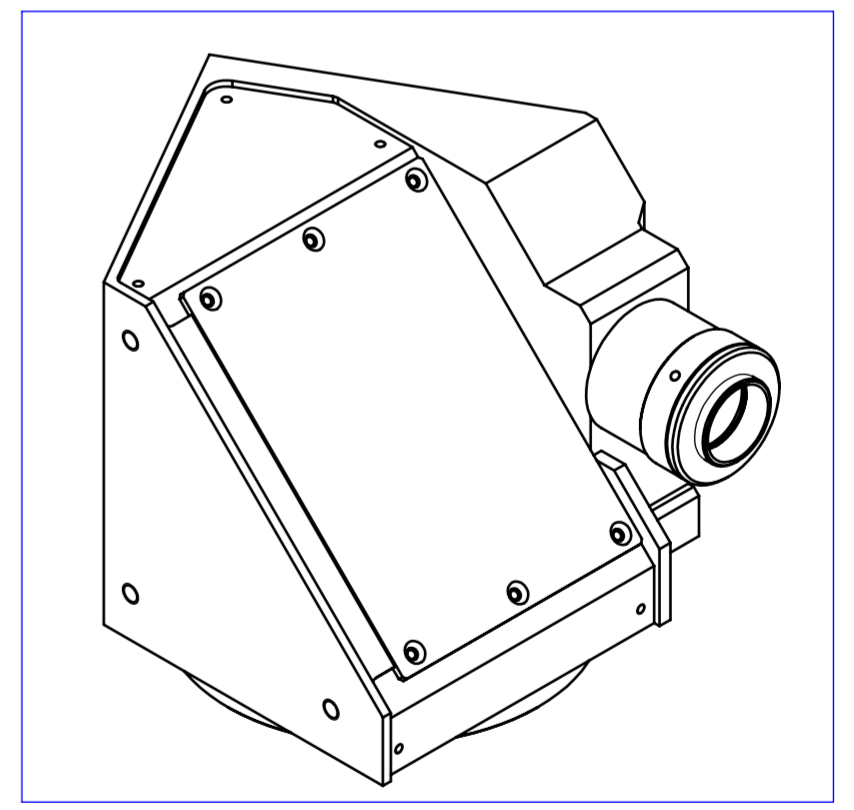
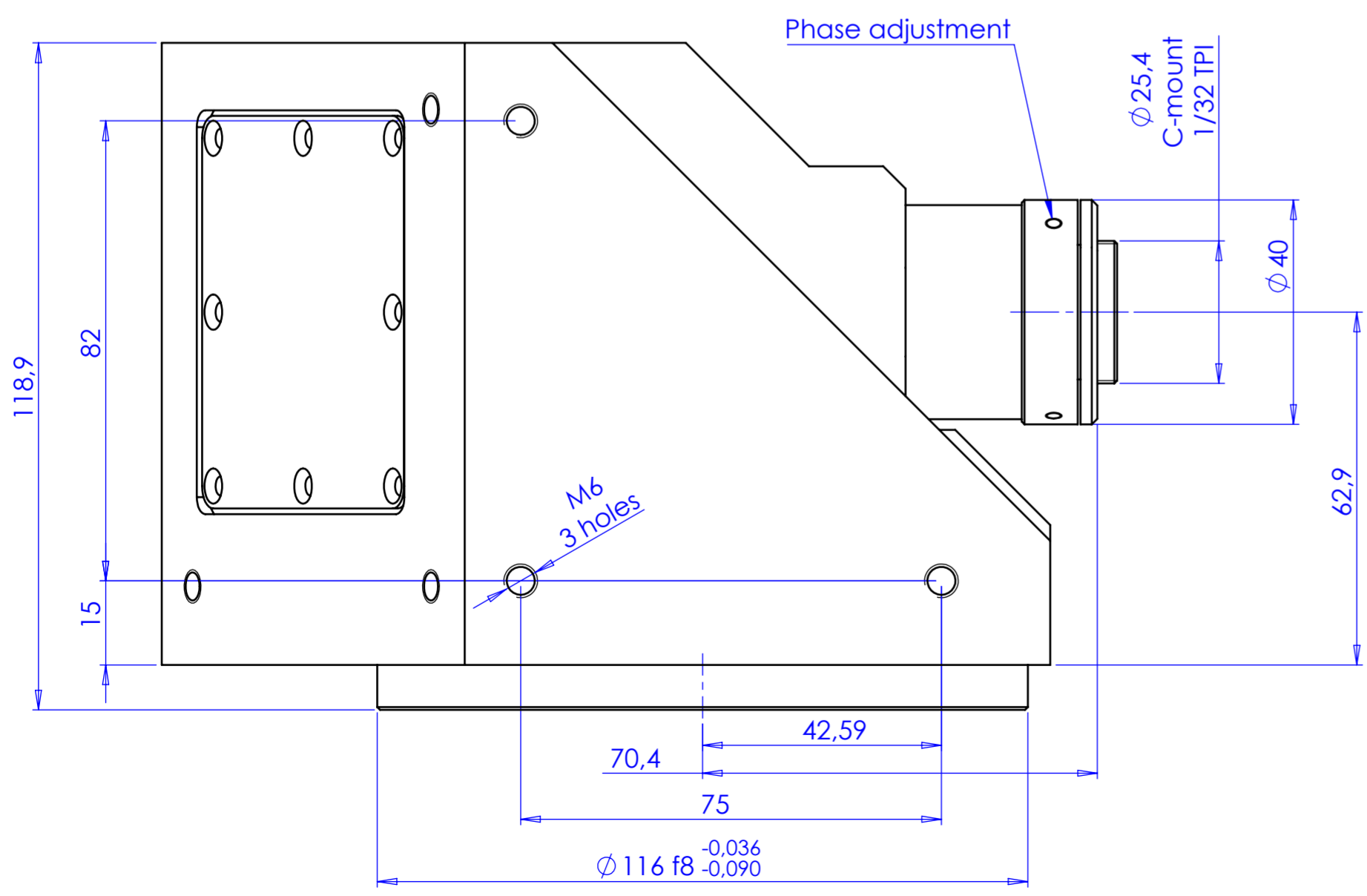
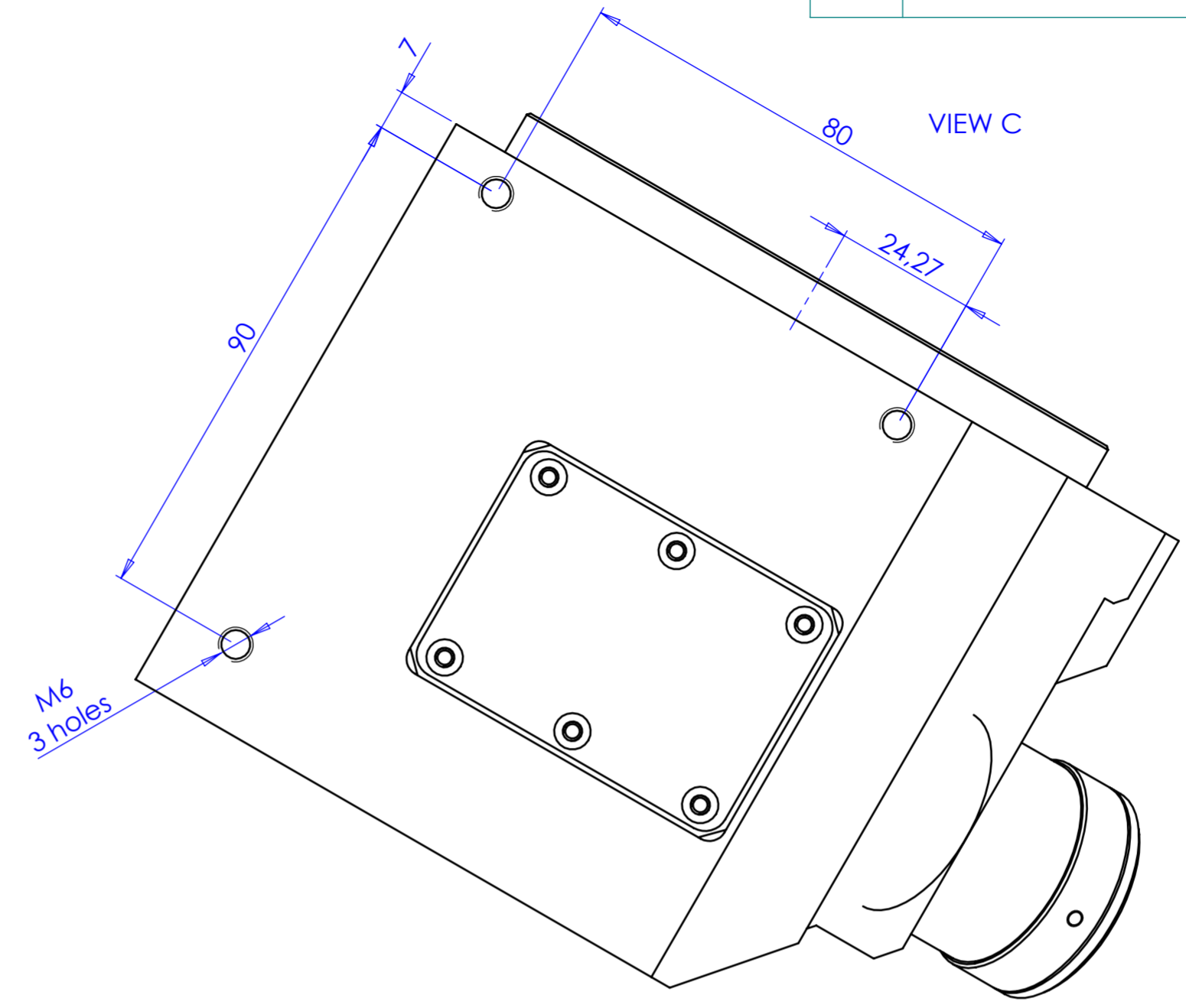
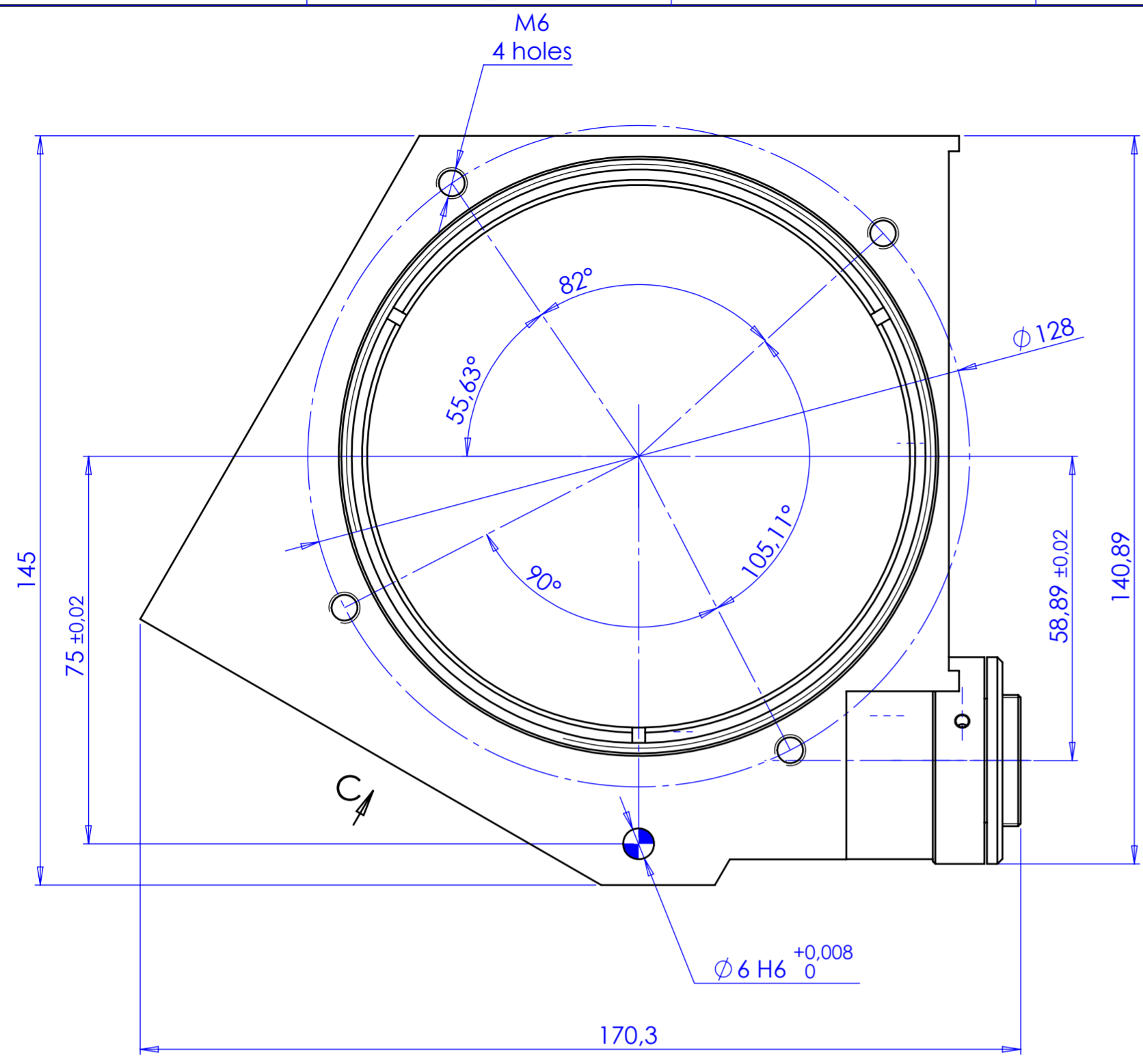


Rev No.	Description	Date	Name
B	Aggiunte quote	27/01/2017	Rodella



Material	N.A.	Mass	3251 g	Scale	1:1
Surface treatment	N.A.	Part No.	CO23952		
Geometrical tolerance (ISO 2768-2)	Class		K	Undimensioned bevels	0.5x45°
Linear tolerance (ISO 2768-2)	0.5	>3+	>6+	>30+	>120
	+3	6	30	120	+400
	$\pm 0,1$	$\pm 0,1$	$\pm 0,2$	$\pm 0,3$	$\pm 0,5$
					$\pm 0,8$
					$\pm 1,2$
					$\pm 2$
				Undimensioned radii	R 0.5
Description		TCCR23080			
Drawing No.		DP 23952-B			
Date		Name			
Designed		14/05/2015 Vasconetto			
Drawn		16/07/2015 Rodella			
Checked					
Sheet		1/1			
<small>Secret and confidential - All rights reserved - No copy, dissemination or circulation is allowed unless specifically authorized in writing by OPTO ENGINEERING S.r.l. - Any violation shall be legally prosecuted.</small>					

OPTO ENGINEERING S.r.l. - Mantova Italy - Tel. +39 0376 699111 - www.opto-engineering.com

all dimensions are in mm