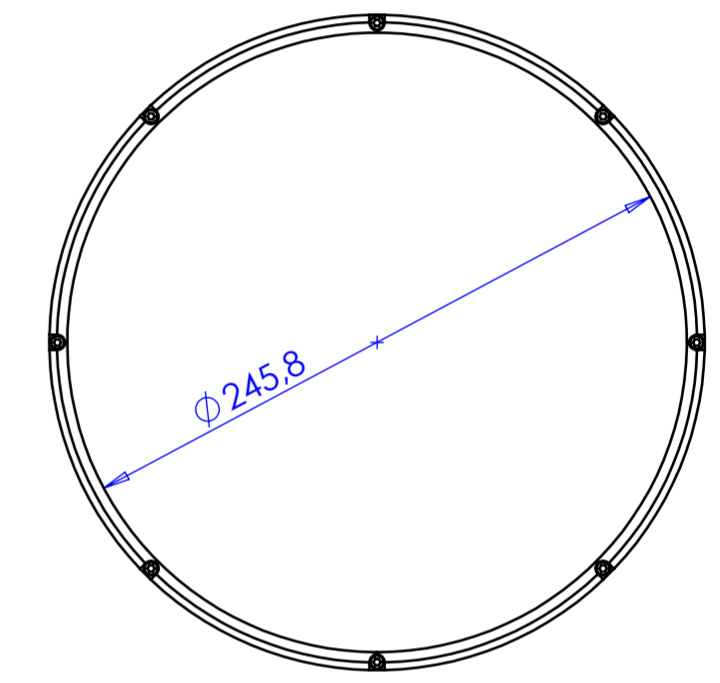
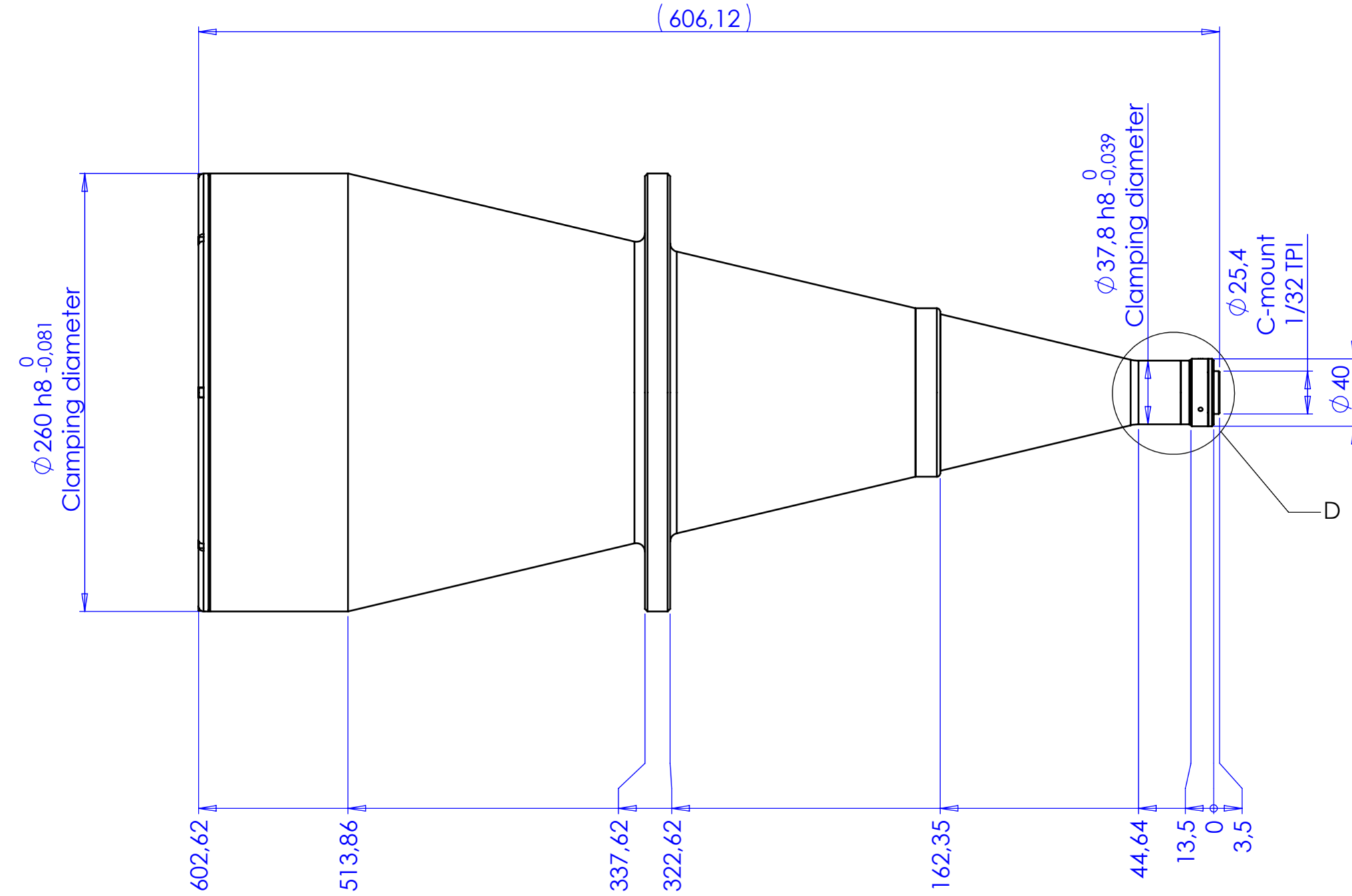
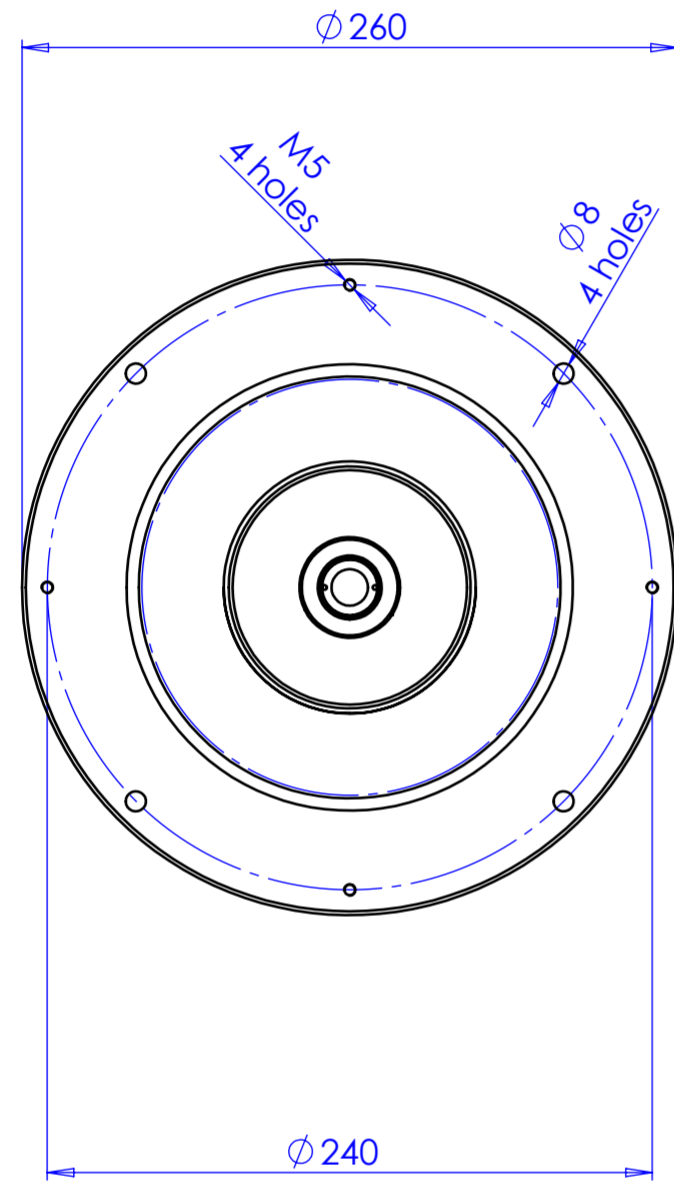
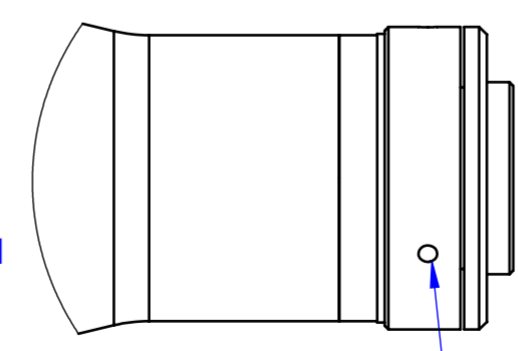


Rev No.	Description	Date	Name
B	Aggiunta regolazione di fase	23/09/2016	Rodella



DETAIL D
SCALE 1 : 1



Phase adjustment

Material	N.A.	Mass	9838 g	Scale	1:3
Surface treatment	N.A.	Part No.	CO02571		
Geometrical tolerance (ISO 2768-2)		Class	K	Undimensioned bevels	0,5x45°
Linear tolerance (ISO 2768-2)		Class	m	Undimensioned radii	R 0,5
0,5	>3+	>6+	>30+	>120	>400+
+3	6	30	120	+400	+1000
+0,1	+0,1	+0,2	+0,3	+0,5	+0,8
				+1,2	+2
Date		Name			
Designed		Santini			
Drawn		Rodella			
Checked					
Drawing No.		Sheet			
DP 02571-B		1/1			
<small>Secret and confidential - All rights reserved - No copy, dissemination or circulation is allowed unless specifically authorized in writing by OPTO ENGINEERING S.r.l. - Any violation shall be legally prosecuted.</small>					

all dimensions are in mm



OPTO ENGINEERING S.r.l. - Mantova Italy - Tel. +39 0376 699111 - www.opto-engineering.com