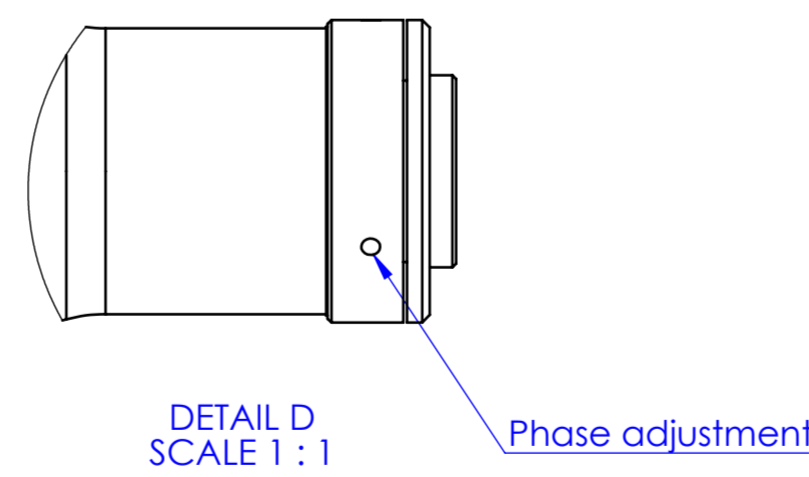
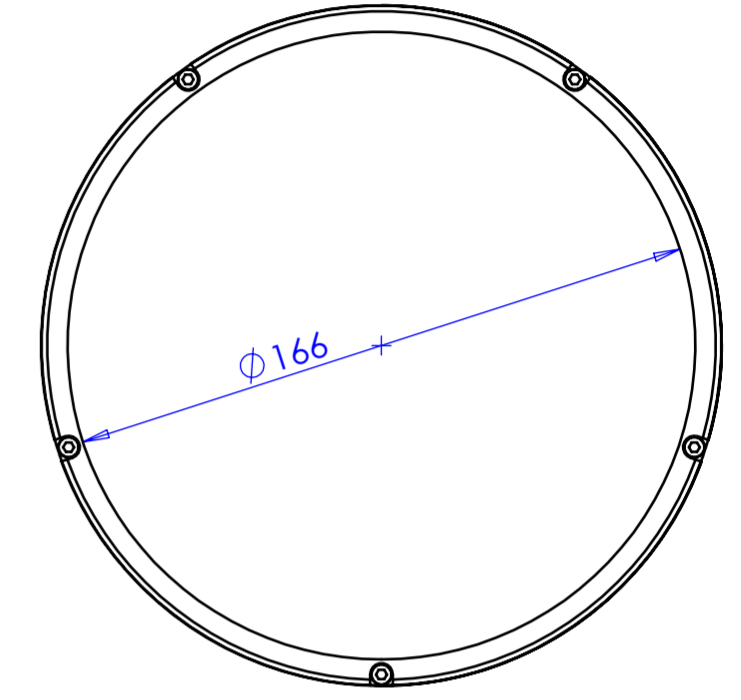
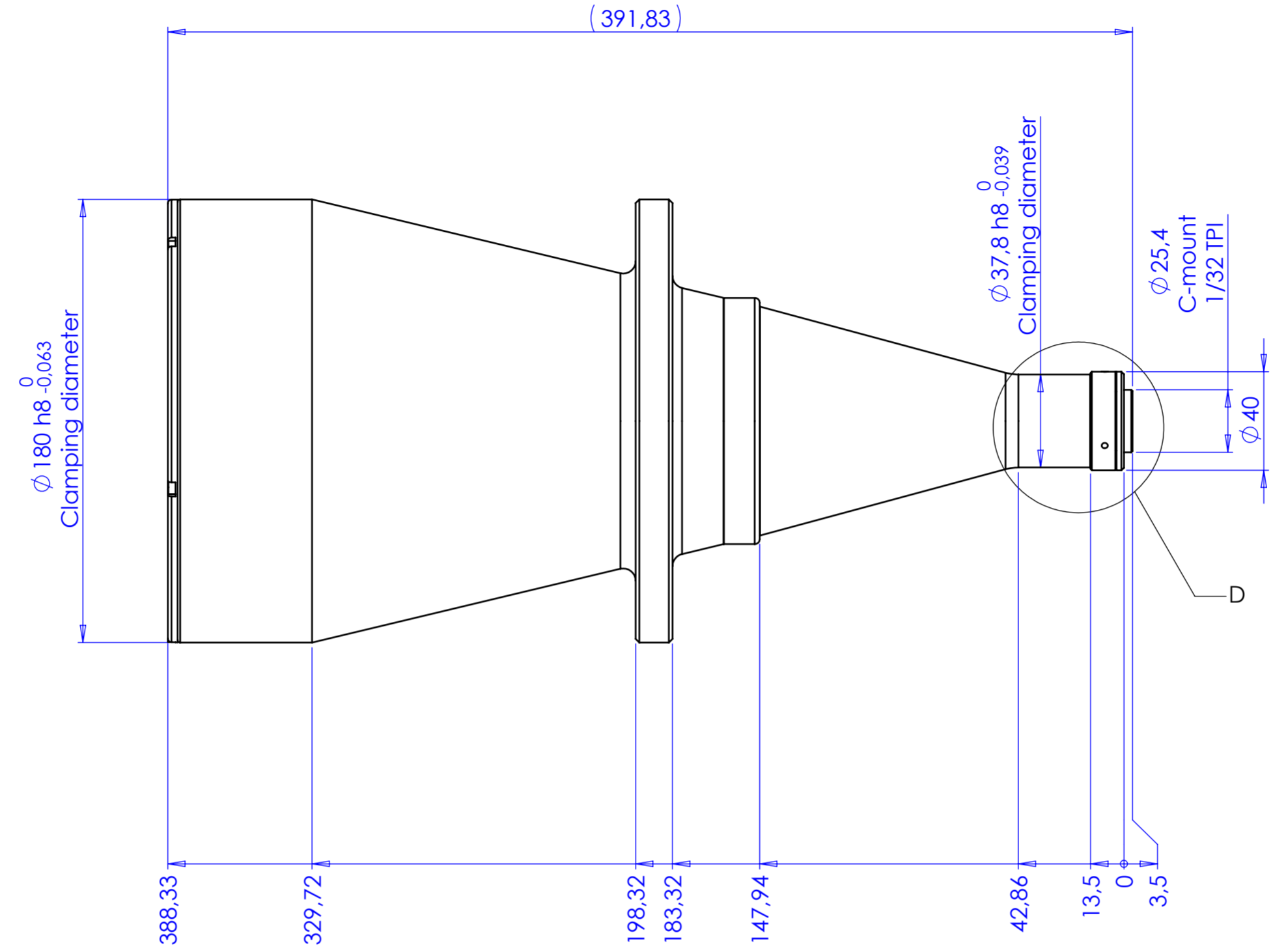
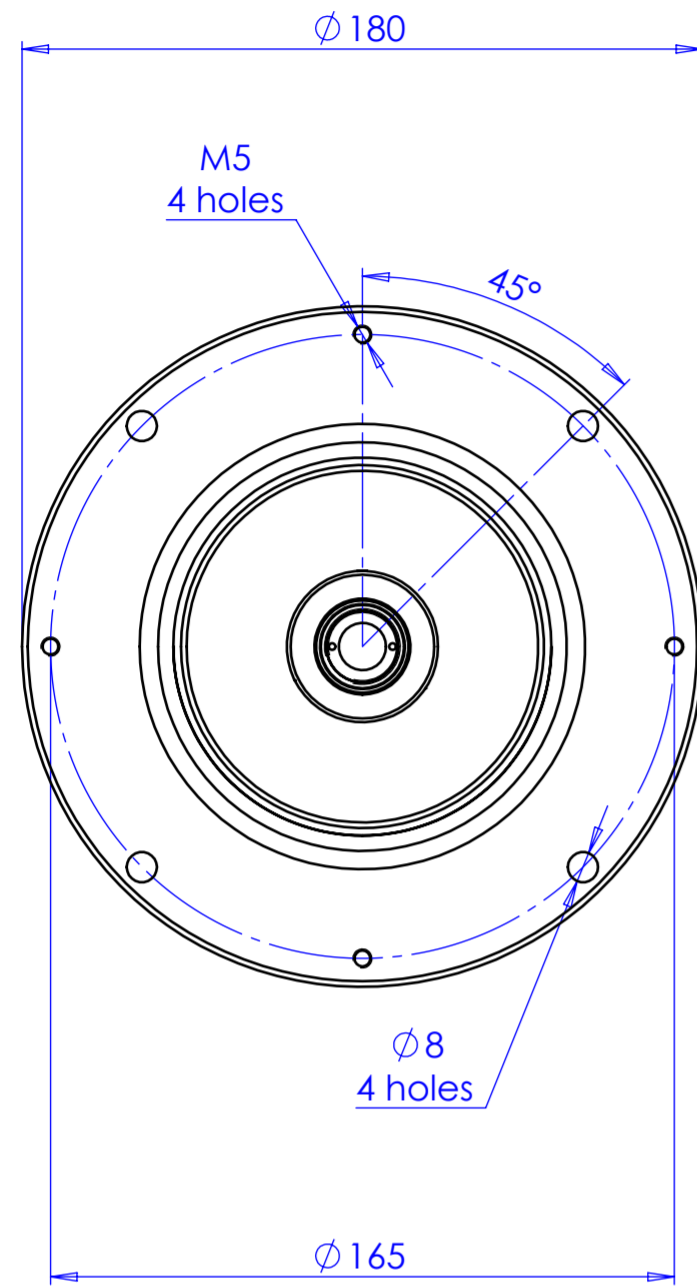


Rev No.	Description	Date	Name
B	Aggiunta regolazione di fase	22/09/2016	Rodella



Material	N.A.	Mass	4640 g	Scale	1:2
Surface treatment	N.A.	Part No.	CO24149		
Geometrical tolerance (ISO 2768-2)		Class	K	Undimensioned bevels	0,5x45°
Linear tolerance (ISO 2768-2)		Class	m	Undimensioned radii	R 0,5
0,5	>3+	>6+	>30+	>120	>400+
+3	6	30	120	+400	+1000
±0,1	±0,1	±0,2	±0,3	±0,5	±0,8
					±1,2
					±2
		Date	Name	Description	
		Designed	20/03/2014	Santini	Obiettivo TC13120
		Drawn	19/06/2015	Rodella	
		Checked			
		Date	Name	Drawing No.	Sheet
				DP 24149-B	1/1

all dimensions are in mm
 OPTO ENGINEERING S.r.l. - Mantova Italy - Tel. +39 0376 699111 - www.opto-engineering.com
 Secret and confidential - All rights reserved - No copy, dissemination or circulation is allowed unless specifically authorized in writing by OPTO ENGINEERING S.r.l. - Any violation shall be legally prosecuted.