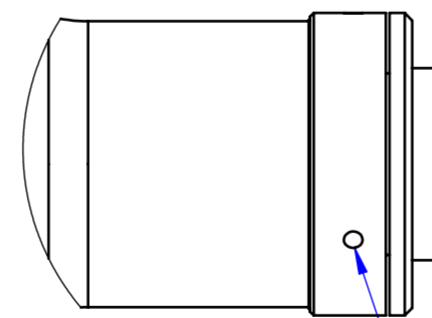
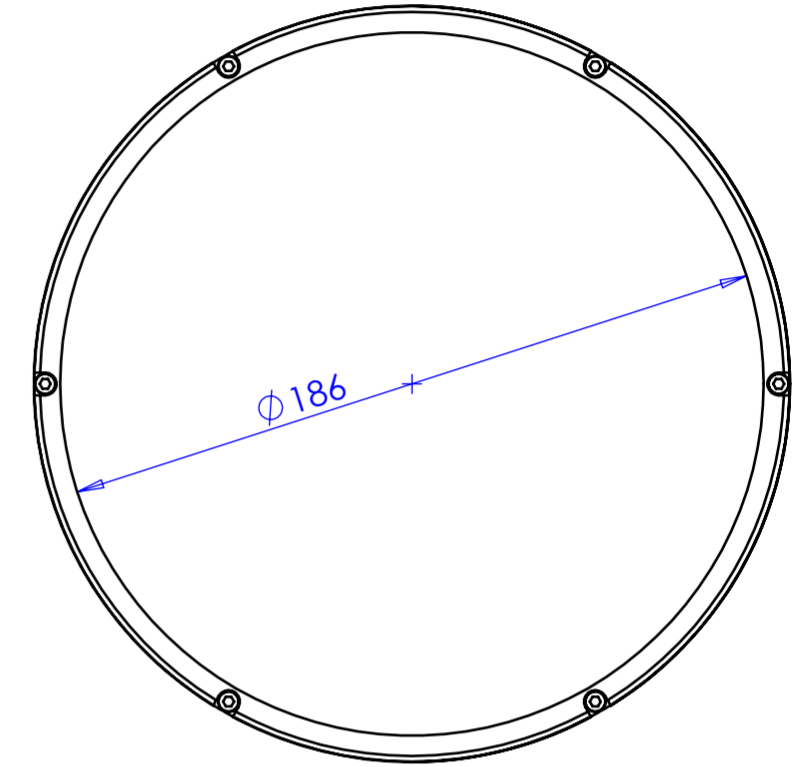
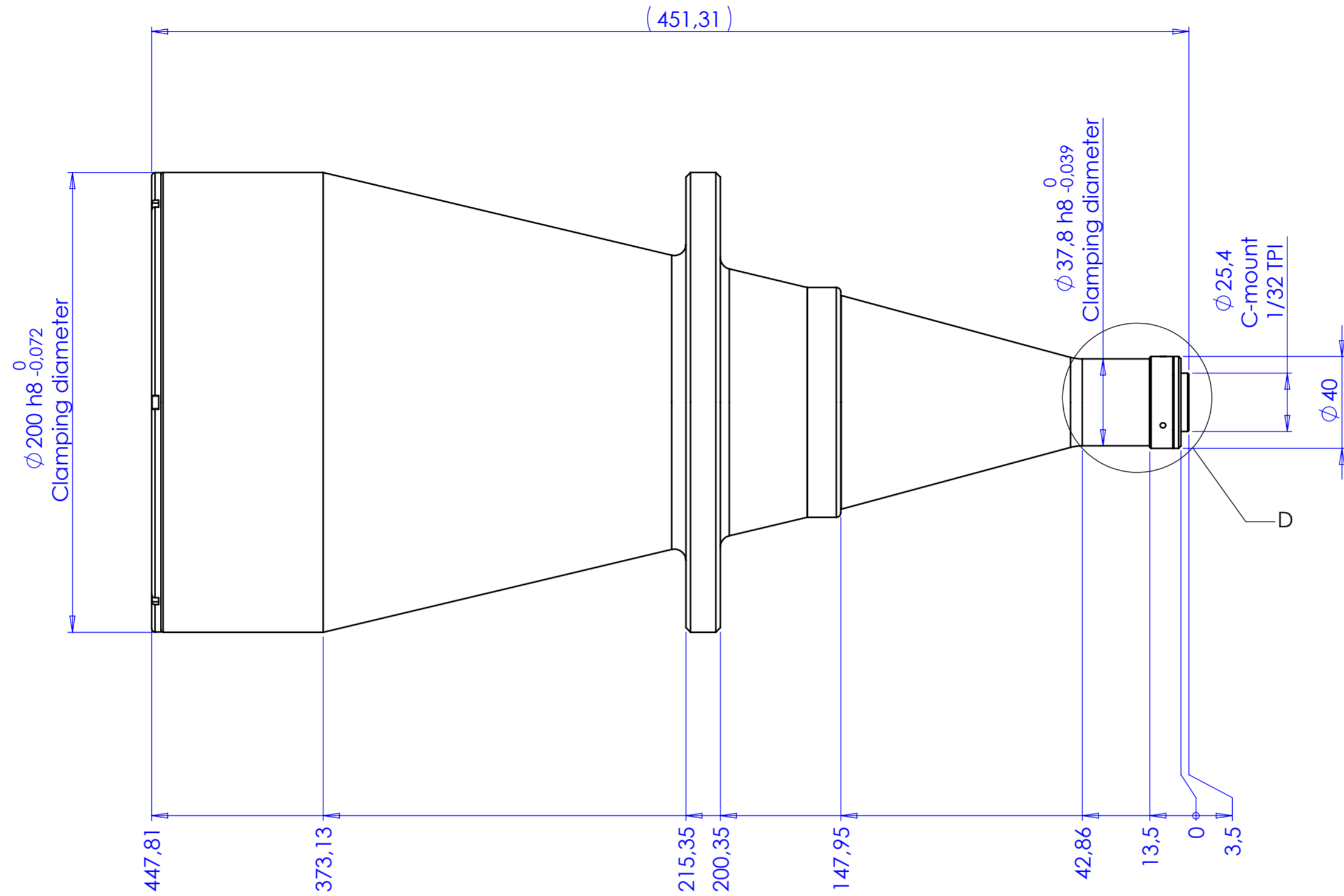
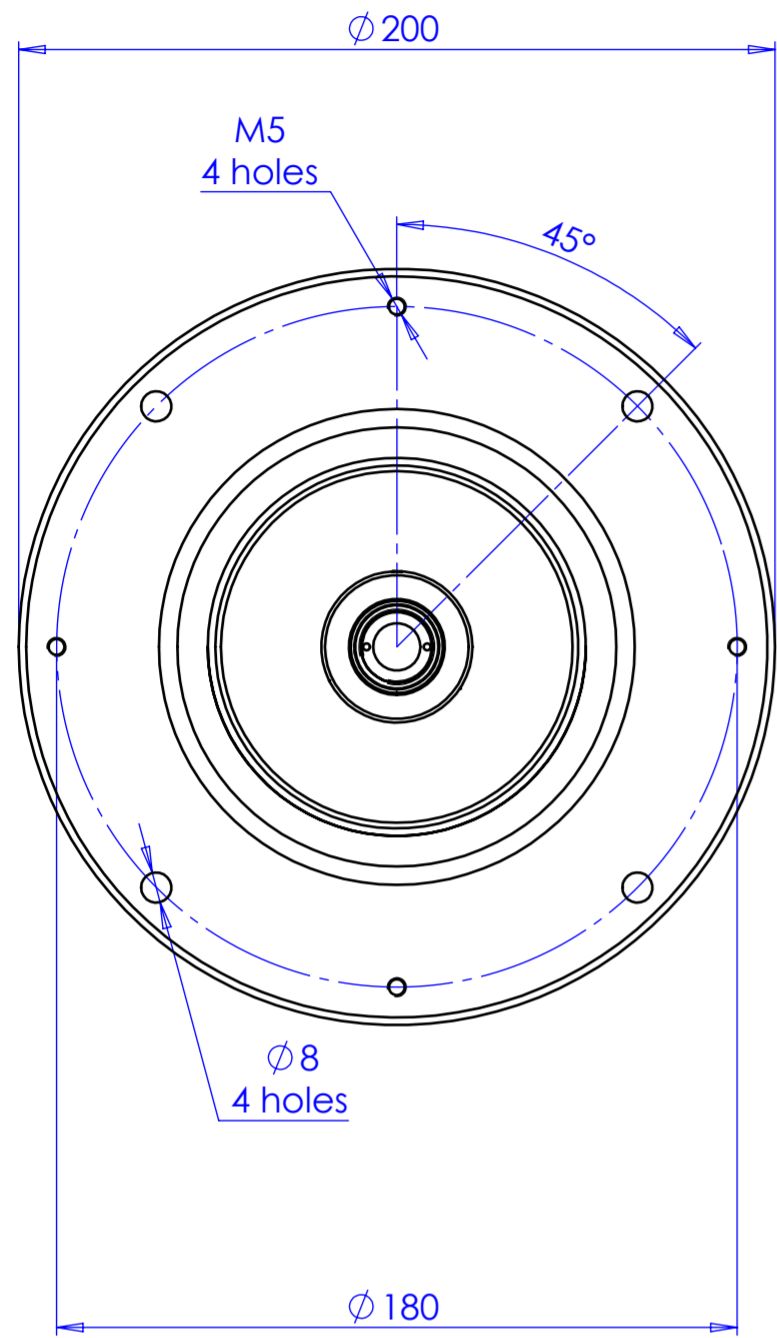


Rev No.	Description	Date	Name
B	Aggiunta regolazione di fase	22/09/2016	Rodella



DETAIL D
SCALE 1 : 1
Phase adjustment

Material	N.A.	Mass	5772 g	Scale	1:2		
Surface treatment	N.A.	Part No.	CO24150				
Geometrical tolerance (ISO 2768-2)	Class	K	Undimensioned bevels	0.5x45°	Description		
Linear tolerance (ISO 2768-2)	Class	m	Undimensioned radii	R 0.5	Obiettivo TC13144		
0.5	>3+	>6+	>30+	>120	>400+	>1000	>2000
+3	6	30	120	+400	1000	+2000	+4000
±0.1	±0.1	±0.2	±0.3	±0.5	±0.8	±1.2	±2
Designed		Date		Name			
20/03/2014		20/03/2014		Santini			
Drawn		Date		Name			
19/06/2015		19/06/2015		Rodella			
Checked		Date		Name			
OPTO ENGINEERING S.r.l. - Mantova Italy - Tel. +39 0376 699111 - www.opto-engineering.com							
Drawing No. DP 24150-B Sheet 1/1							

Secret and confidential - All rights reserved -
No copy, dissemination or circulation is allowed unless
specifically authorized in writing by OPTO ENGINEERING
S.r.l. - Any violation shall be legally prosecuted.