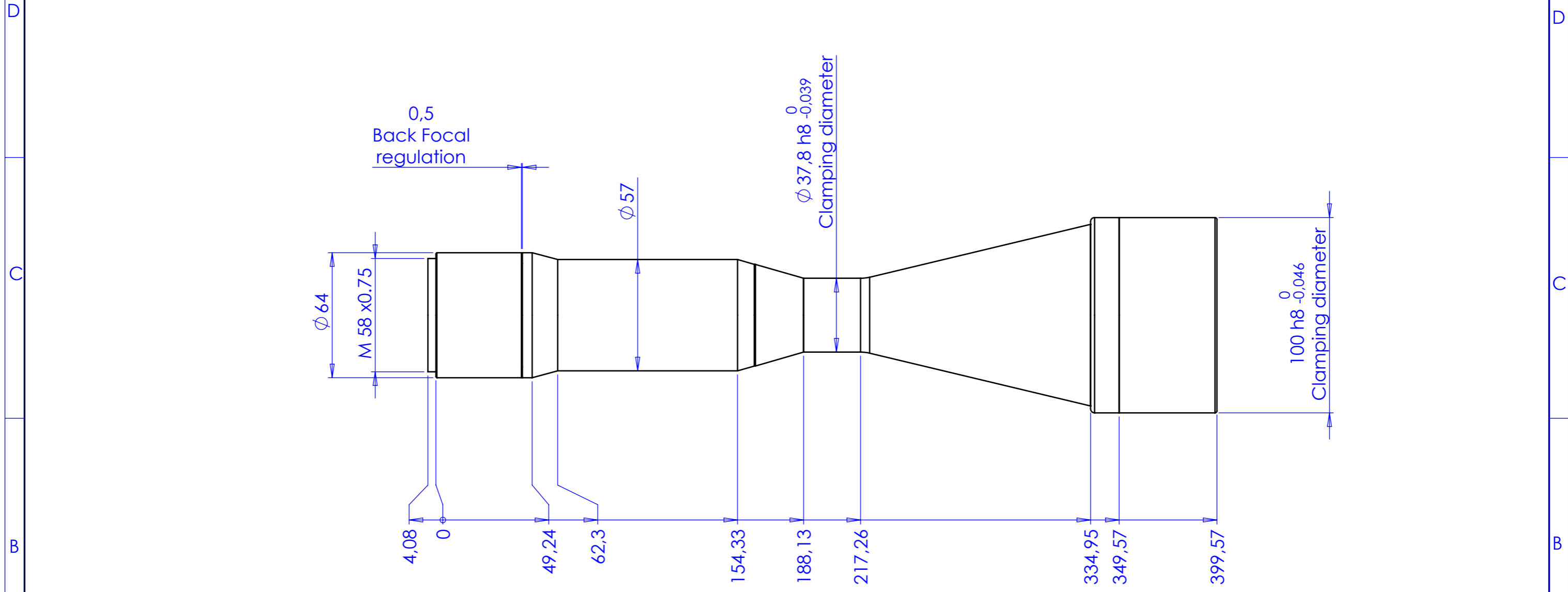


Rev No.	Description	Date	Name



all dimensions are in mm	Material	N.A.			Mass	1364 g	Scale	1:2	
	Surface treatment	N.A.			Part No.	CO19335			
	Geometrical tolerance (ISO 2768-2)				Undimensioned bevels 0,5x45° Undimensioned radii R 0,5	Description TC16M064-Q			
	Linear tolerance (ISO 2768-2)								
0,5 ±3	>3± 6	>6± 30	>30± 120	>120 ±400	>400± 1000	>1000 ±2000	>2000 ±4000	Drawing No. DP 19335-A Sheet 1/1	
±0,1	±0,1	±0,2	±0,3	±0,5	±0,8	±1,2	±2		
				Date	Name		Drawing No.		
				Designed	13/11/2014	Santini		DP 19335-A	
				Drawn	05/05/2015	Rodella			
Checked									
OPTO ENGINEERING S.r.l. - Mantova Italy - Tel. +39 0376 699111 - www.opto-engineering.com Secret and confidential - All rights reserved - No copy, dissemination or circulation is allowed unless specifically authorized in writing by OPTO ENGINEERING S.r.l. - Any violation shall be legally prosecuted.									