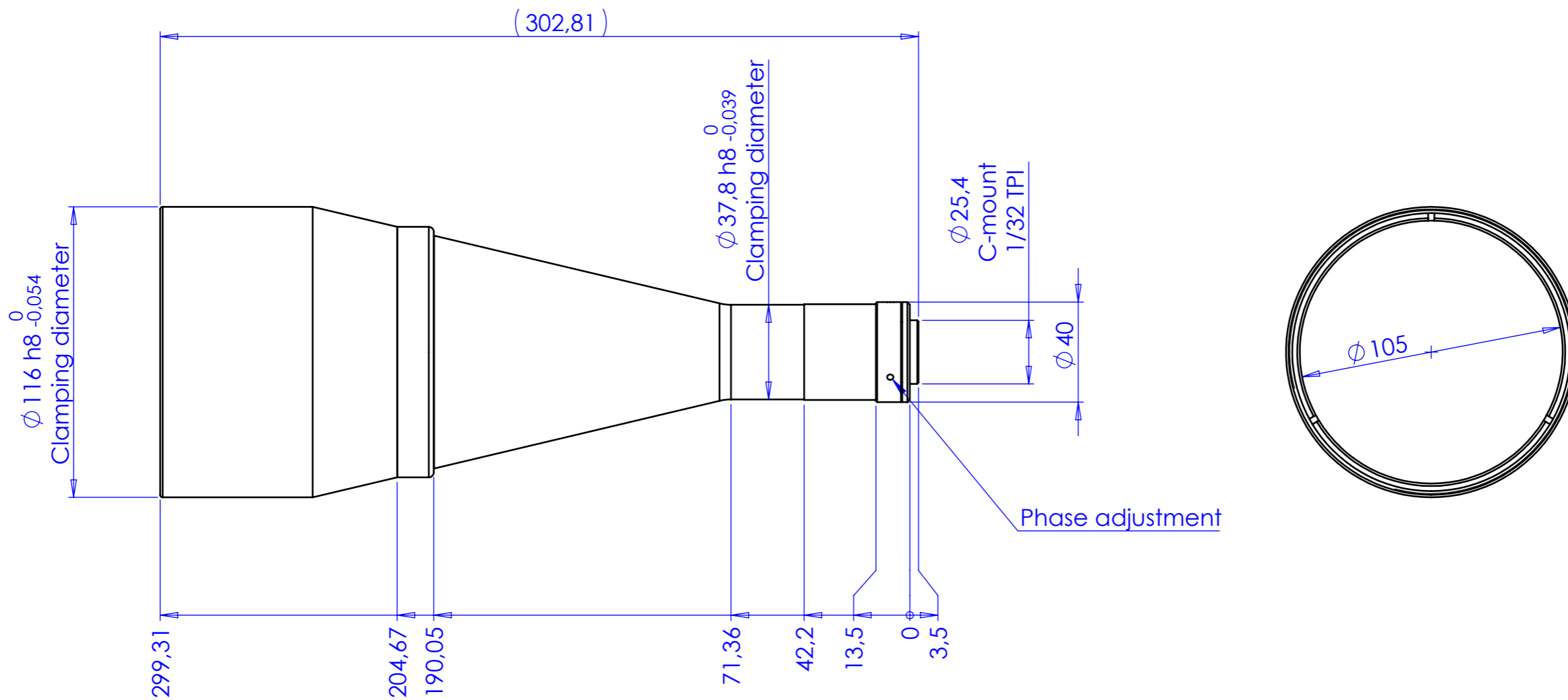


Rev No.	Description	Date	Name
C	Aggiunta regolazione di fase	07/09/2016	Rodella
B	Tolleranza di clamping	11/03/2015	Rodella



Material	N.A.		Mass	1466 g	Scale	1:2	
Surface treatment	N.A.		Part No.	CO02451			
Geometrical tolerance (ISO 2768-2)			Class	K	Undimensioned bevels	0,5x45°	
Linear tolerance (ISO 2768-2)			Class	m	Undimensioned radii	R 0,5	
0,5 ±3	>3± 6	>6± 30	>30± 120	>120 ±400	>400± 1000	>1000 ±2000	>2000 ±4000
±0,1	±0,1	±0,2	±0,3	±0,5	±0,8	±1,2	±2
 <b>OPTO ENGINEERING S.r.l.</b> - Mantova Italy - Tel. +39 0376 699111 - www.opto-engineering.com			Date	Name	Drawing No.	Sheet	
			Designed	20/03/2014	Santini	DP 02451 -C	1/1
			Drawn	05/03/2015	Rodella		
			Checked		<i>Secret and confidential - All rights reserved - No copy, dissemination or circulation is allowed unless specifically authorized in writing by OPTO ENGINEERING S.r.l. - Any violation shall be legally prosecuted.</i>		