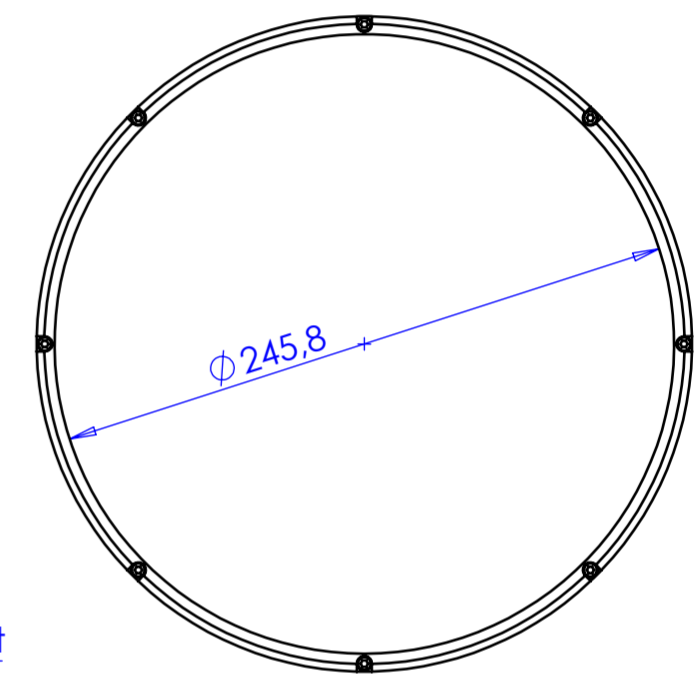
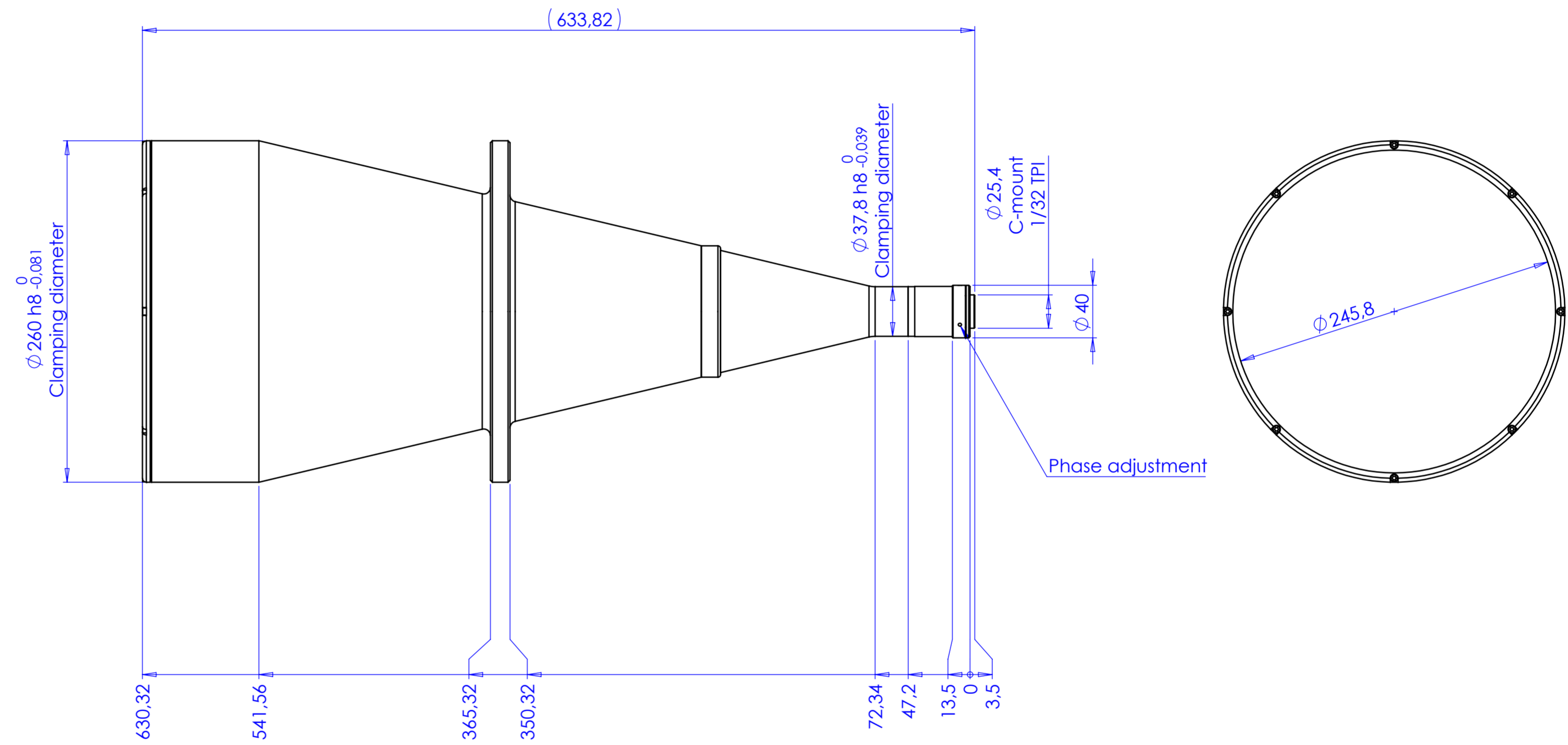
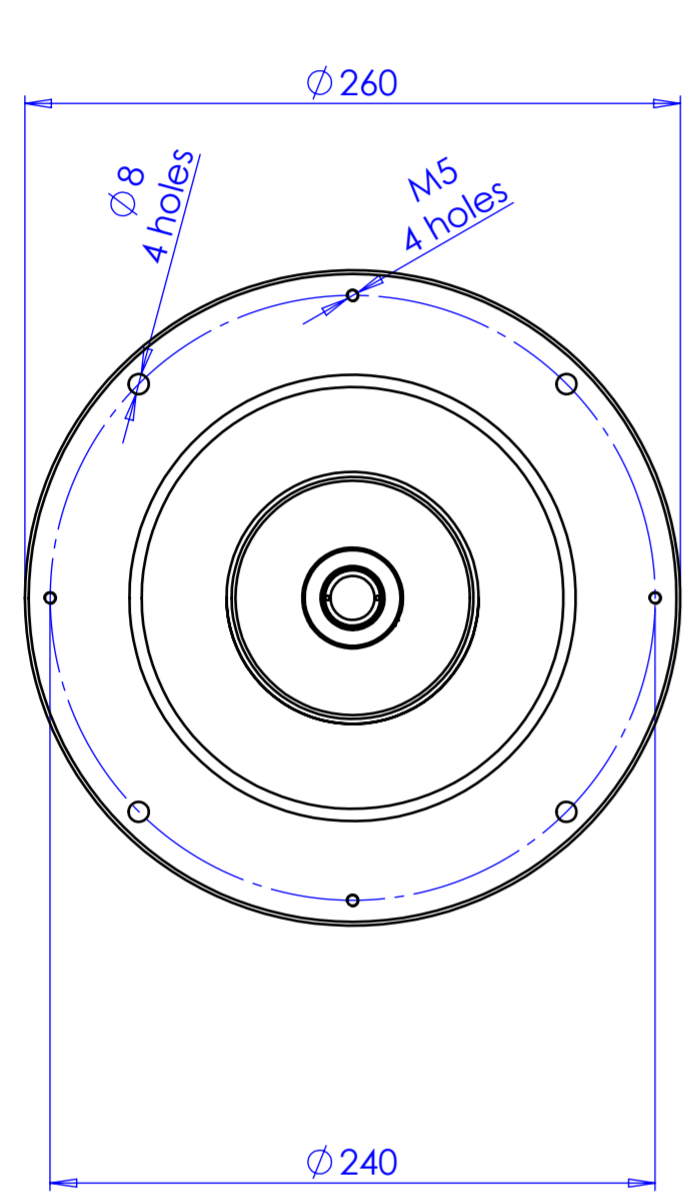


Rev No.	Description	Date	Name
C	Aggiunta regolazione di fase	07/09/2016	Rodella
B	Tolleranza di clamping	11/03/2015	Rodella



Material	N.A.	Mass	9896 g	Scale	1:3
Surface treatment	N.A.	Part No.	CO02531		
Geometrical tolerance (ISO 2768-2)		Class	K	Undimensioned bevels	0.5x45°
Linear tolerance (ISO 2768-2)		Class	m	Undimensioned radii	R 0.5
0.5	>3+	>6+	>30+	>120	>400+
+3	6	30	120	+400	+1000
+0.1	±0.1	±0.2	±0.3	±0.5	±0.8
					±1.2
					±2
Date		Name		Description	
Designed 20/03/2014		Santini		Obiettivo TC23172	
Drawn 05/03/2015		Rodella		Drawing No.	
Checked				DP 02531-C	
Date		Name		Sheet	
				1/1	
<p>OPTO ENGINEERING S.r.l. - Mantova Italy - Tel. +39 0376 699111 - www.opto-engineering.com</p> <p>Secret and confidential - All rights reserved - No copy, dissemination or circulation is allowed unless specifically authorized in writing by OPTO ENGINEERING S.r.l. - Any violation shall be legally prosecuted.</p>					

all dimensions are in mm