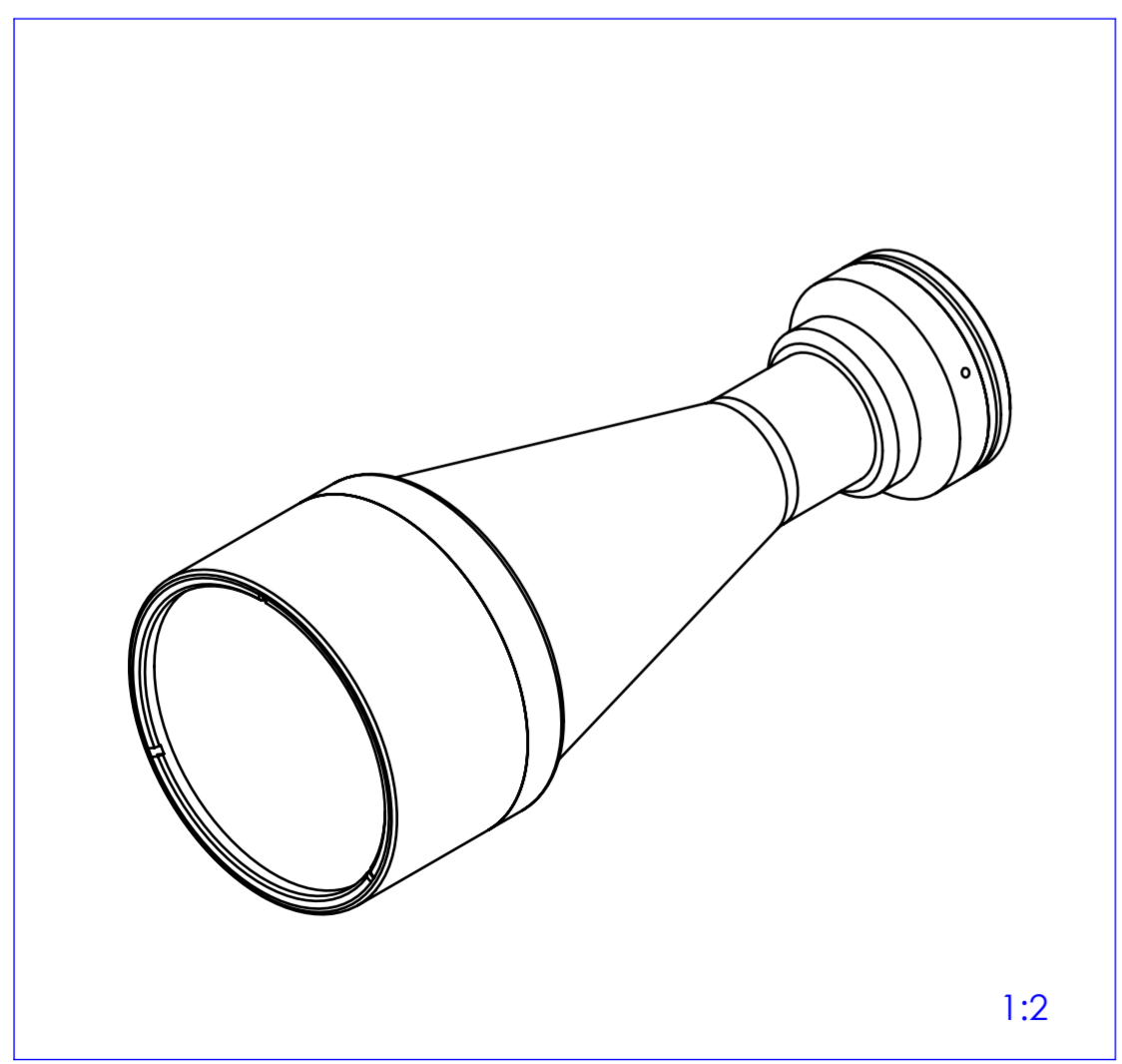
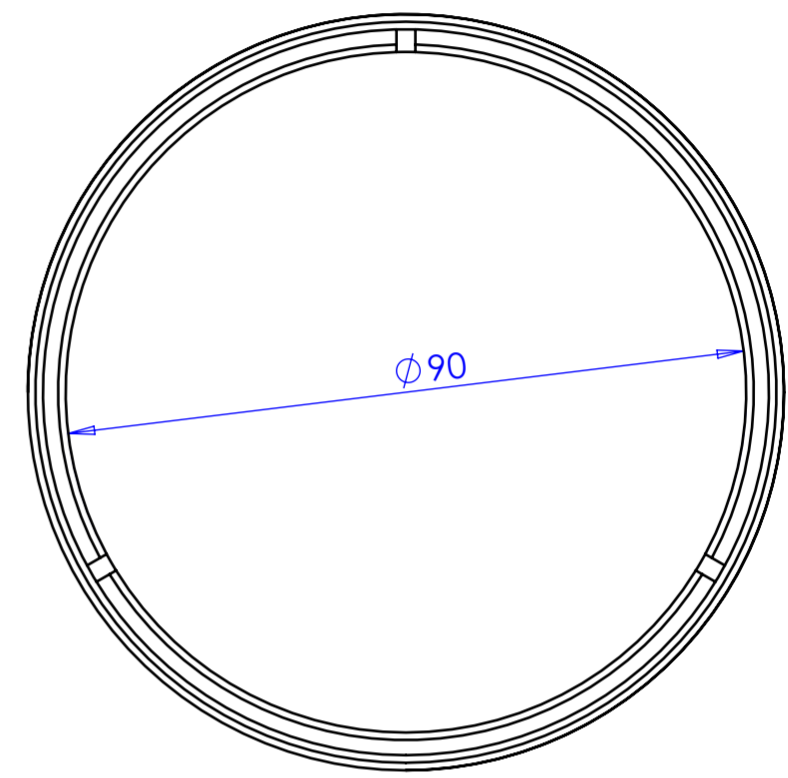
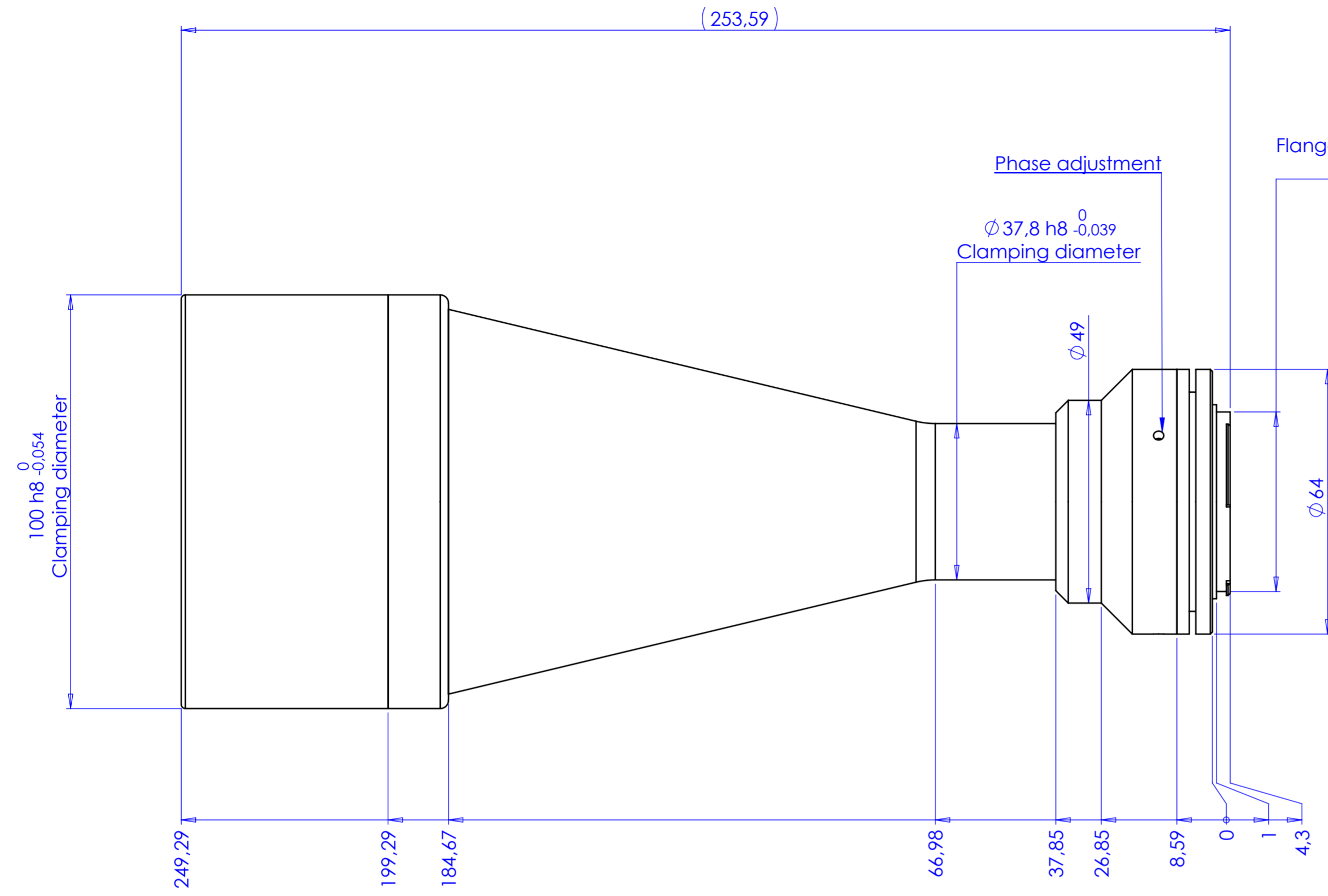


Rev No.	Description	Date	Name
B	Variazione nome	08/07/2014	Vasconetto



Material	N.A.	Mass	1217 g	Scale	1:1
Surface treatment	N.A.	Part No.	CO71400		
Geometrical tolerance (ISO 2768-2)		Class	K	Undimensioned bevels	0.5x45°
Linear tolerance (ISO 2768-2)		Class	m	Undimensioned radii	R 0.5
0.5	>3+	>6+	>30+	>120	>400+
+3	6	30	120	+400	1000
±0.1	±0.1	±0.2	±0.3	±0.5	±0.8
					±1.2
					±2
		Date	Name	Description	
		Designed	04/04/2014	Vasconetto	TC2MHR064-F
		Drawn	05/06/2014	Rodella	
		Checked			
		Date	Name	Drawing No.	Sheet
				DP 71400-B	1/1
<p style="text-align: center;"><small>Secret and confidential - All rights reserved - No copy, dissemination or circulation is allowed unless specifically authorized in writing by OPTO ENGINEERING S.r.l. - Any violation shall be legally prosecuted.</small></p>					

all dimensions are in mm