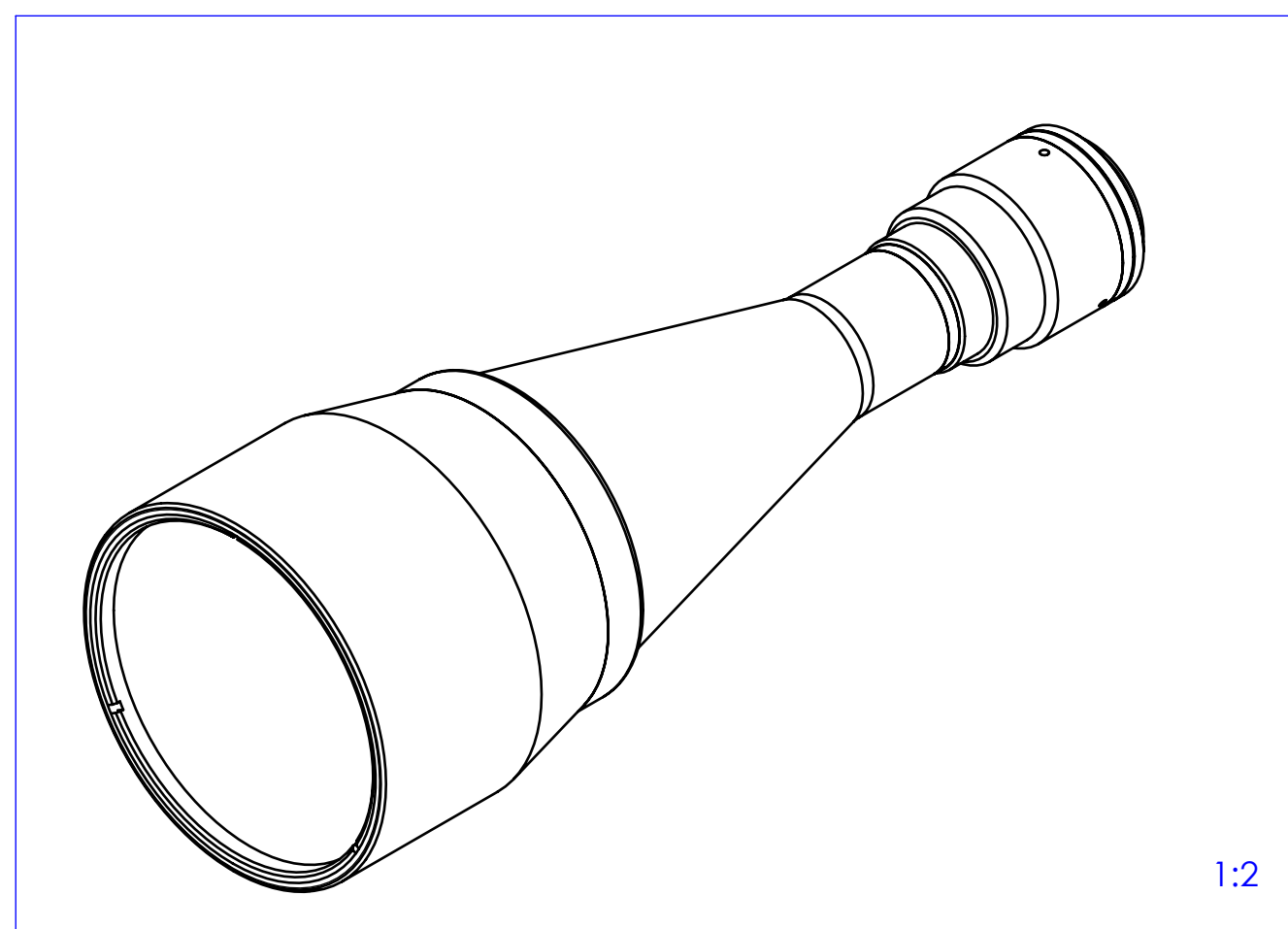
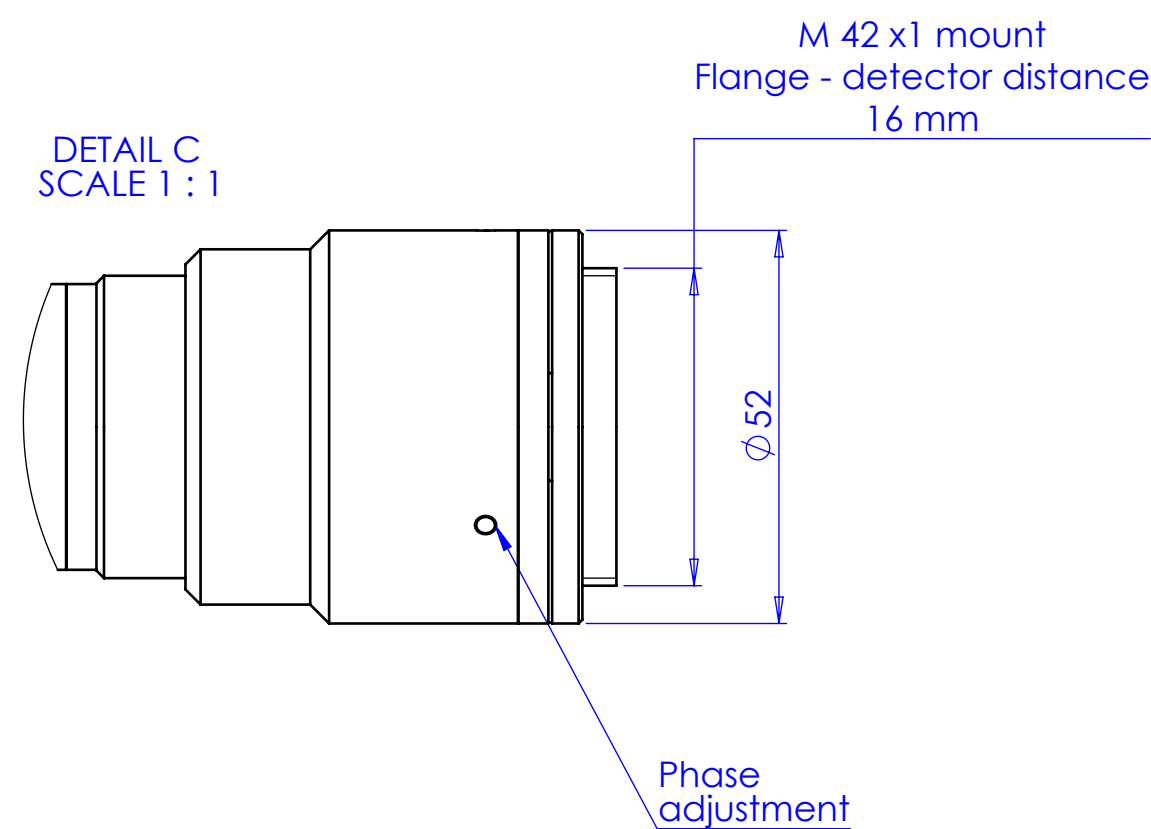
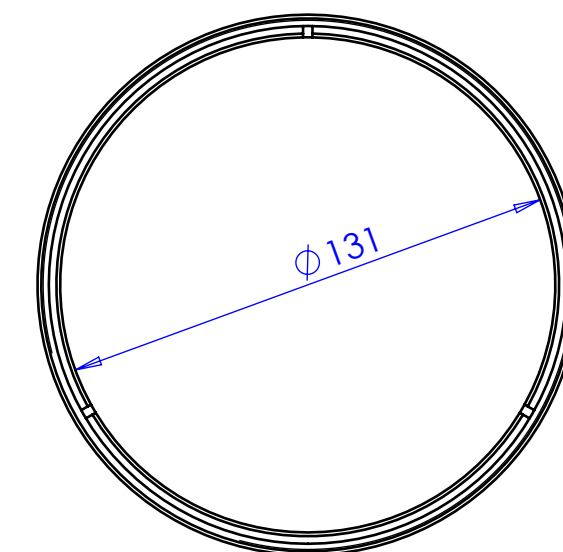
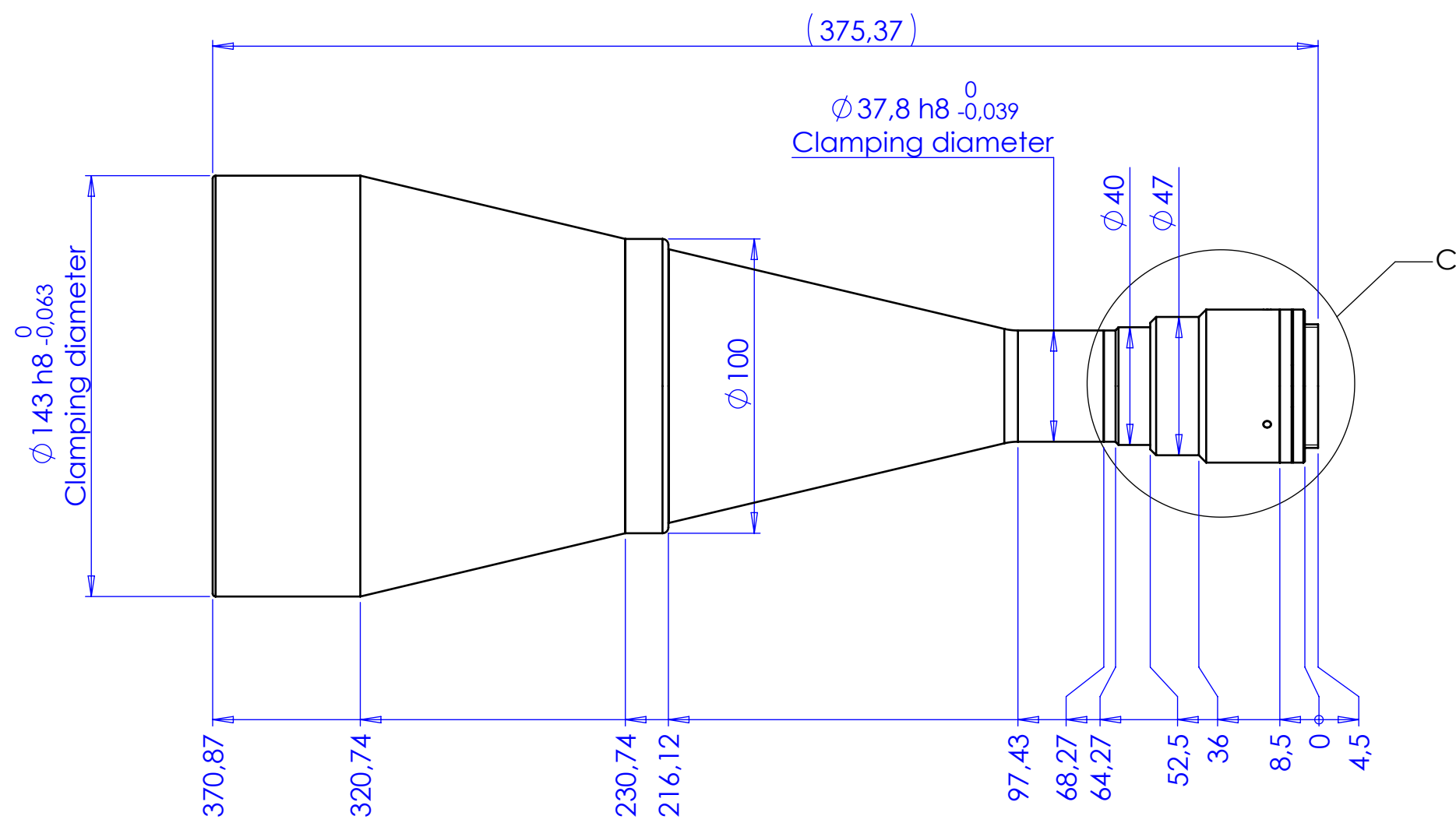


Rev No.	Description	Date	Name
B	Variazione nome	08/07/2014	Vasconetto



Material	N.A.	Mass	2411 g	Scale	1:2
Surface treatment	N.A.	Part No.	CO71407		
Geometrical tolerance (ISO 2768-2)		Class	K	Undimensioned bevels	0,5x45°
Linear tolerance (ISO 2768-2)		Class	m	Undimensioned radii	R 0,5
0,5	>3+	>6+	>30+	>120	>400+
+3	6	30	120	+400	+1000
±0,1	±0,1	±0,2	±0,3	±0,5	±0,8
					±1,2
					±2
Description		Date	Name		
TC2MHR096-E		04/04/2014	Vasconetto		
Drawing No.		05/06/2014		Rodella	
DP 71407-B					
Sheet		1/1			

OPTO ENGINEERING S.r.l. - Mantova Italy - Tel. +39 0376 699111 - www.opto-engineering.com

Secret and confidential - All rights reserved - No copy, dissemination or circulation is allowed unless specifically authorized in writing by OPTO ENGINEERING S.r.l. - Any violation shall be legally prosecuted.