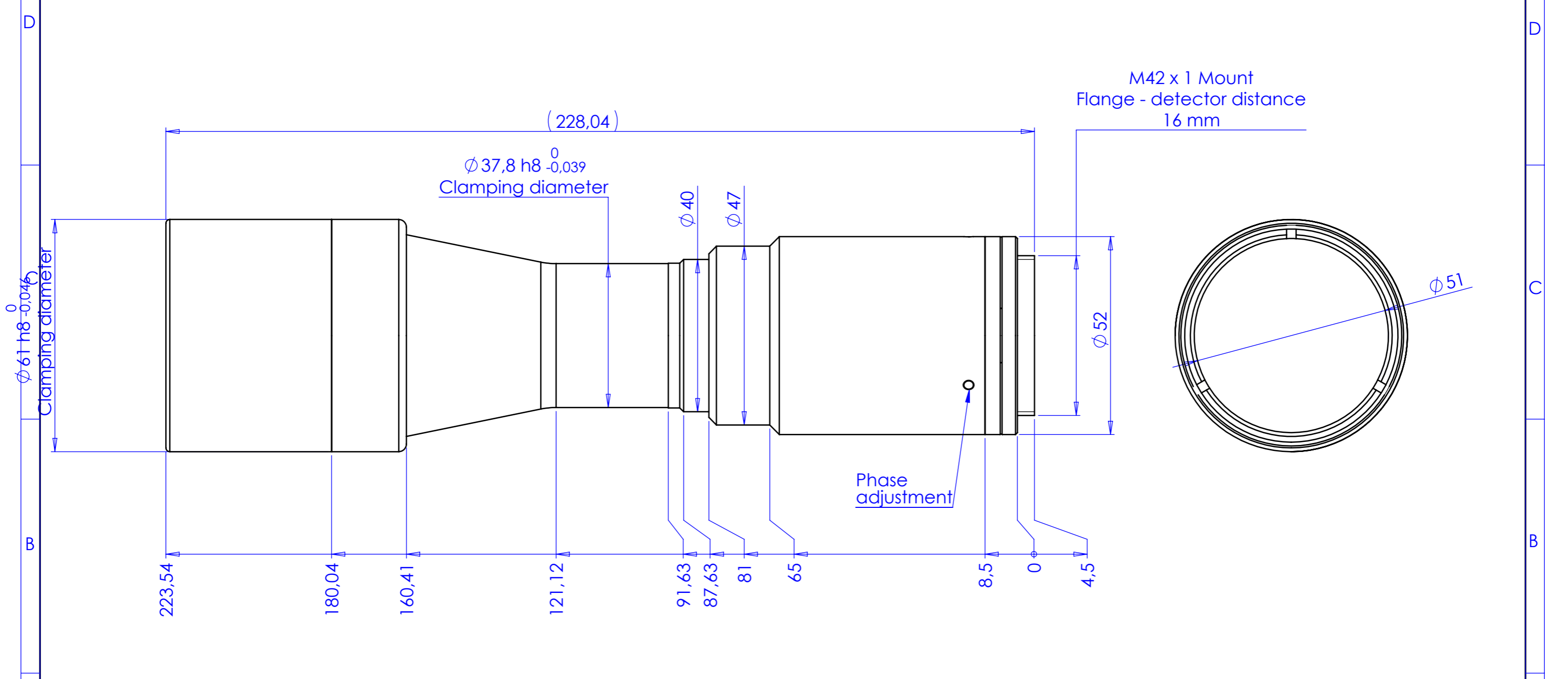


Rev No.	Description	Date	Name
B	Variazione nome	08/07/2014	Vasconetto



Material	N.A.		Mass	694 g	Scale	1:1
Surface treatment	N.A.		Part No.	CO71428		
Geometrical tolerance (ISO 2768-2)			Class	K	Undimensioned bevels	
Linear tolerance (ISO 2768-2)			Class	m	0,5x45°	
0.5	>3±	>6±	>30±	>120	>400±	>1000
±3	6	30	120	±400	1000	±2000
±0.1	±0.1	±0.2	±0.3	±0.5	±0.8	±1.2
Undimensioned radii			R 0.5			
Description			TC4MHR036-E			
Drawing No.			Date		Name	
DP 71428-B			04/04/2014		Vasconetto	
Sheet			Date		Name	
1/1			05/06/2014		Rodella	
<p>all dimensions are in mm</p> <p>OPTO ENGINEERING S.r.l. - Mantova Italy - Tel. +39 0376 699111 - www.opto-engineering.com</p>						
<p>Secret and confidential - All rights reserved - No copy, dissemination or circulation is allowed unless specifically authorized in writing by OPTO ENGINEERING S.r.l. - Any violation shall be legally prosecuted.</p>						